

Product Guide

2021 Edition



altecnic.co.uk

altecnic
CALEFFI group



We are proud to be part of the Caleffi group. A world leader in the manufacturing of high-quality components for heating, plumbing, air conditioning, heat metering and renewables systems, for domestic and industrial plants. The Group has over **1,300 employees** worldwide and distributes to over **90 countries** with a recorded turnover above **326 million euros** in 2019. The CUBOROSSO (REDCUBE) Studies and Research Centre and the MAV Automatic Vertical Warehouse guarantees even faster shipment and more punctual delivery.

Manufacturing is in our DNA....

Proud of our manufacturing heritage, we value our reputation and the trust of our customers. We understand that the quality of our products underpins both our own and our customers' success. For you, our customer, this means that when you sell, specify or install our products, your reputation is in safe hands.



altecnic
CALEFFI group

Hydronic
solutions for the
plumbing and
heating industry

Contents

6 About us

8 Sectors

10 Sustainability, quality & innovation

12 Supporting our customers

14 Plumbing and Heating Products

14 Mixing Valves

- 16 Merchant Mixing Valves & Tempering Valve
- 17 Mixcal Careflo Plus® & Mixcal III
- 18 MX Valves
- 19 L-pattern & Mixcal Valves
- 20 Thermostatic Mixing Valves
- 22 Thermostatic Balancing Valves
- 24 Legiomix®
- 25 TMV Accessories

26 Pressure Reducing Valves

- 28 Series 533
- 31 Series 535
- 33 Series 536
- 34 Series 300
- 35 Series 576 & 5360

36 Radiator Valves

- 38 Ecocal™
- 40 Dynamical®
- 41 Commercial Thermostatic Valves
- 42 Series 400 & Eclipse Manual Valves
- 44 Decorative Radiator Valves
- 45 Dual Fuel Radiator Valves
- 46 Extension Pieces & Bypass
- 48 Caleffi CODE®

50 Mechanical Thermostats

- 52 Mechanical Thermostats

56 Underfloor Heating

- 58 Control Units
- 59 Actuators

60 Sealed Systems

- 62 Robokits
- 63 Kits & Filling Loops
- 64 Matrix Digital Pressurisation Unit

66 Expansion Vessels

- 68 Heating Vessels
- 72 Potable Vessels
- 75 Flow Through Vessels
- 76 Stainless Steel
- 77 Mini Vessels
- 78 Instant Water Heater Packs & Water Heater Isolation Valves
- 79 Dosing Pots

80 Safety Relief Valves

- 82 Safety Relief Valves

86 Dirt and Air Separation

- 88 Dirtmag Mini™
- 89 Dirtmag Mini™ Compliance Packs
- 90 Dirtmag iQ™ Prime
- 91 Dirtmag iQ™ Prime Compliance Packs
- 92 Dirtmag iQ™
- 93 Dirtmag
- 94 Dirt and Air
- 96 Dirt
- 97 Hydraulic Separators
- 99 Automatic Air
- 100 Automatic Air Vents
- 103 Strainers

104 Gauges

- 106 Gauges

108 Backflow Prevention

- 111 RPZ Valves
- 112 Double Check Valves
- 115 Single Check Valves
- 116 Non Return Valves
- 117 Tundishes

118 Ball Valves

- 120 Water
- 132 Gas
- 133 Pump Ball Valves

134 Flow Regulation

- 137 Flow Regulation & Calflow Plus®
- 138 Flow Regulation

140 Metering

- 142 Water Meters
- 144 Metering

146 General Plumbing & Accessories

- 148 Flexible Hoses & Drain Valves
- 149 Oil Filters
- 150 General Plumbing

152 Water Treatment

- 154 Water Treatment
- 156 Accessories
- 157 Chemicals





158 Commercial Washrooms

168 Heat Interface Units

166 Commercial Products

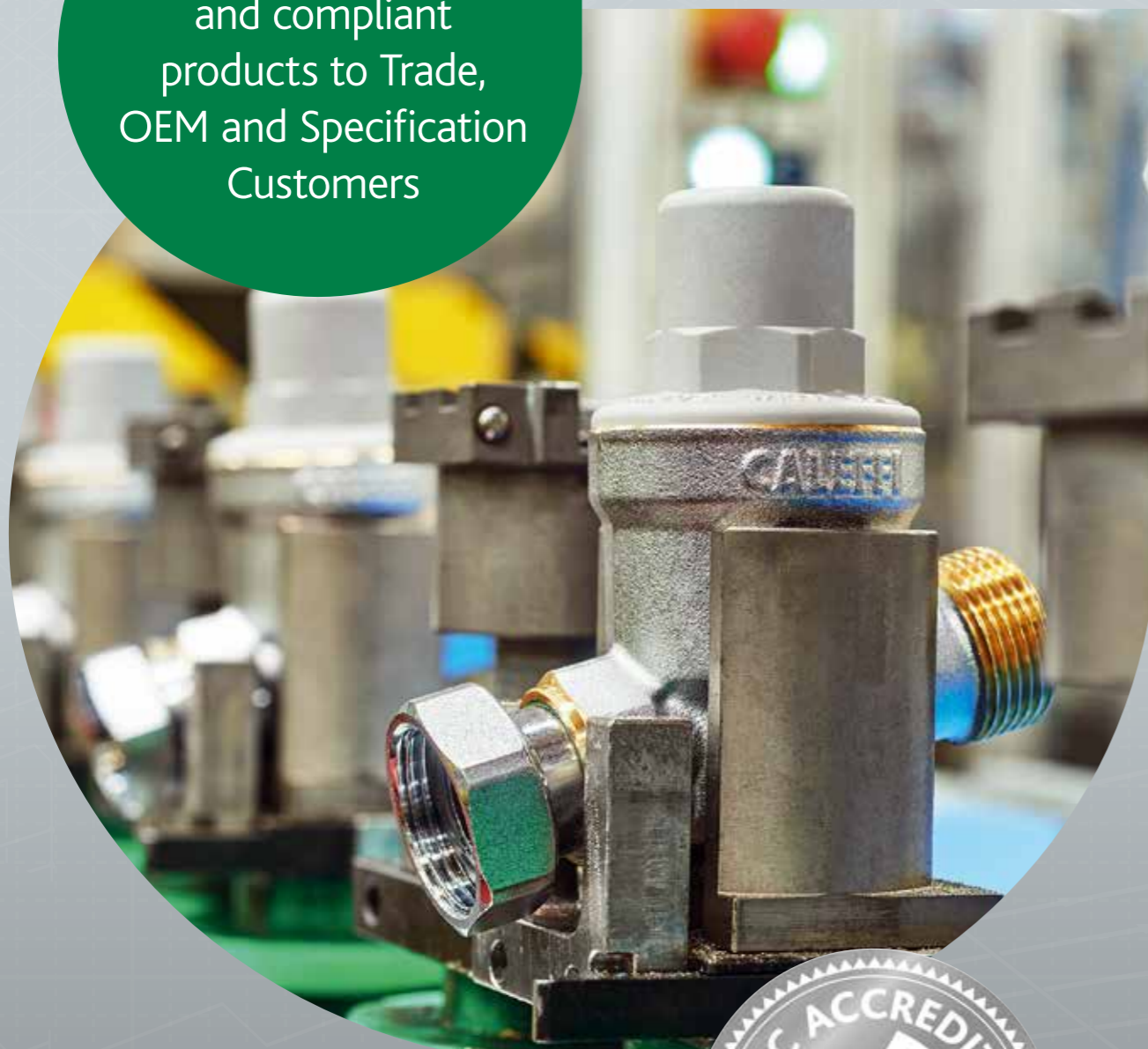
170 Renewables

Application Key Quantity Key

 DOMESTIC	 COMMERCIAL	 OUTER BOX	 PALLET
--	--	---	--



Committed to delivering accredited and compliant products to Trade, OEM and Specification Customers



About us

From our 7500 m³ HQ in Stafford, Altecnic has supported the UK & Republic of Ireland plumbing industry for over 30 years. We understand that today's plumbing and heating components have to do much more than simply transport gas and water, and Altecnic's range meets every requirement for every application, from UK & EU legislation to global environmental standards.

Trade

Altecnic have supported Trade Merchants and their customers for over 30 years and we're proud to be their partner of choice. Visit altecnic.co.uk/trade to find out more.



OEM

Altecnic works hard to provide valuable partnerships with our OEM customers. Our dedicated OEM experts support our customers production requirements, through the design of bespoke product and package solutions, which are complemented by our reliable and quality service. Visit altecnic.co.uk/oem to find out more.



Specification

Whether for a plant room, a hospital, or a heat network in a 16 storey apartment block, we provide the optimum hydronic solutions for any construction project. Visit altecnic.co.uk/specification to find out more.



Leading the way in Built Environments



Commercial
From offices to retail and hospitality we provide solutions that perform



Education
Smart solutions to keep even the most vulnerable users safe



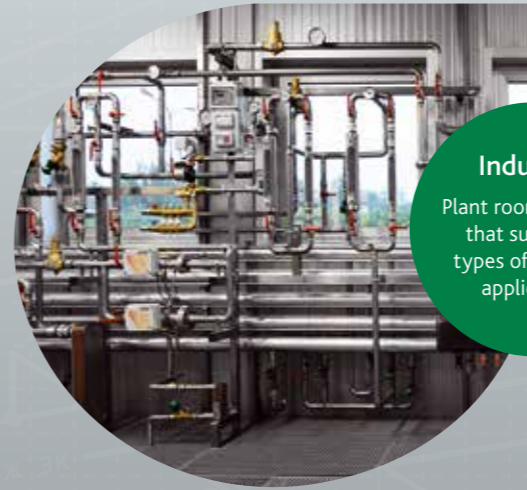
Sports and Leisure
Solutions for facilities that need to perform safely and hygienically



Care Home
Superior product solutions where safety, comfort and hygiene are key



New Build
Solutions to keep new build projects cost-effective and energy efficient



Industrial
Plant room solutions that support all types of industrial applications



Hospitals
Safe and efficient solutions for protecting public health



Multi-Occupancy
Heat network solutions for tall buildings, hotels and student accommodation



Offsite
When efficiency matters, we provide a range of flexible solutions for offsite construction

We have a vast range of solutions that work to control the temperature, pressure, and safety of water in heating and cooling systems across the built environment.

Hydronic Solutions For Built Environments

Our rich manufacturing heritage combined with 30 years of working in the UK construction industry means that whatever the sector, we deliver the optimum hydronic system solutions for modern buildings.

Our team sit on the technical advisory committees of all major heating and plumbing related industry bodies that work to provide regulations and legislation that are safe and efficient. This means our team are focused on always delivering products that meet, if not exceed, current regulations.

In fact, we continually invest in our product development ensuring that our products are tested and accredited to the best industry standards. This gives our customers the peace of mind that whenever they specify or fit an Altecnic product, their project is in safe hands.

Sustainability, quality & innovation go hand in hand.

Sustainability, quality & innovation are embedded into the culture at Altecnic. From designing products that last, to the production methods we use, our commitment to recyclable packaging, and in the way we power our vehicles.

Altecnic is an environmentally responsible business, Investors in People accredited and proud to be ISO 45001 certified.



Please note

WRAS Approved Products

Details of the range of products approved can be found in the Water Fittings and Materials online directory:

www.wras.co.uk



NSF Certified Products

Details of NSF certified products to TMV2, TMV3 and CIAS (DTC) can be found online at:

www.nsf.org



KIWA product approval scheme

Details of KIWA approved products can be found online at:

www.kiwa.com/en



We're reducing our environmental impact through innovative product design & packaging materials

Supporting our customers

Customer Service

Customers across the UK & ROI can rely on our experienced customer service team to be available when and where you need them.

We understand that when you need a product, you need it fast. We're proud to offer Guaranteed Next Day Delivery for a small charge. Altecnic has a £50 minimum order charge with 99.7% of orders delivered to the customer the next day.

Customer Care Line: +44(0) 1785 218207
Trade Sales: +44(0) 1785 218222
tradesales@altecnic.co.uk
OEM Sales: +44(0) 1785 218208
oemsales@altecnic.co.uk
Specifications Sales: +44(0) 1785 218210
specifications@altecnic.co.uk

Technical Support

The Altecnic technical department are the go-to team for any technical product installation, commissioning or maintenance query you or your customers may have.

Our technical team works hard to provide you with all the answers you need about Altecnic products. From giving you advice on product specifications, problem-solving, to delivering training courses, we are always on hand to help.

Technical Helpline: +44(0) 1785 218206
Technical Email: technical@altecnic.co.uk

Sales & Marketing Support

We have regional sales managers out on the road to support each customer across the UK.

We can help to provide support not only on the phone, but also in person, such as in-branch events like coffee mornings and sales promotions to help your customers find the right Altecnic products.

Our marketing team can provide high-res product images, product information, brochures, leaflets and POS displays.

Marketing Email: marketing@altecnic.co.uk

Product Training

Our customers can benefit from the wealth of expertise and experience the Altecnic team has as part of our training academy. Our CIBSE accredited CPDs are delivered by experts including CIBSE accredited heat network consultants. Our product training sessions are delivered by those with practical experience of installing, commissioning, maintaining and testing all manner of hydronic products.

Training courses include:

- Understanding thermostatic mixing valves
- Understanding sealed systems
- Backflow prevention
- Heat networks: overcoming inefficiency and poor performance
- Hydronic balancing
- Understanding heat interface units

Plus, we have a wide range of technical resources, including how to videos, on our website and YouTube channel.

Training Helpline: +44(0)1785 218206
Training Email: training@altecnic.co.uk
Website: altecnic.co.uk/technicalzone



Altecnic Ltd, Mustang Drive, Stafford, Staffordshire ST16 1GW

General: 01785 218200
Accounts Enquiries: 01785 218203

Contact Us Today



Find your Area Sales Manager at altecnic.co.uk

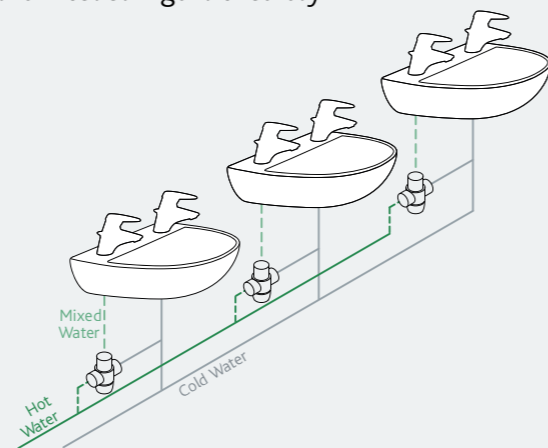
Mixing Valves

Altecnic offers a complete range of thermostatic mixing valves (TMV) for domestic, healthcare, educational, hotel and leisure facilities. Our TMV valves are variously accredited to WRAS, TMV2, TMV3 and NSF BS EN 15092 to service all applications. Any facility where there are vulnerable people including children, the elderly and infirm can be assured of the safety of their hot water supply thanks to Altecnic's devotion to meeting the most stringent of safety standards.

RANGE OVERVIEW

The range covers use with hot and cold water and includes:

- Constant stable temperature
- Failsafe function (some models)
- Wide range for various connection sizes
- WRAS, TMV2, TMV3 & NSF approved
- Domestic and commercial applications



Mixing Valves

	SERIES	WRAS APPROVED PRODUCT	kiwa	NSF 2	NSF 3	NSF Certified to BS EN 15092	5 YEAR WARRANTY
Merchant Mixing Valves	5213	✓		✓	✓		✓
45-65° Tempering Valve	5218	✓				✓	
Mixcal Careflo Plus®	5213+	✓	✓		✓		
Mixcal III Failsafe TMV	5211	✓					
Mixcal III Group TMV	5219	✓		✓		✓	
L-Pattern TMV	5200	✓					
Mixcal Mixpro® TMV	5231	✓					
Adjustable TMV	5214	✓		✓			
OEM TMV	5219	✓		✓			

MIXING VALVES - MERCHANT MIXING VALVE & TEMPERING VALVE

CA-100822



MERCHANT MIXING VALVES - SERIES 5213

Ref no	Size	Connections	Temperature	Box	Carton
CA-100822	15mm	Compression	Setting range 30 - 50°C	20	840
CA-100824	22mm	Compression	Setting range 30 - 50°C	20	840
CA-100827	15mm	Compression + MX valve	Setting range 30 - 50°C	20	840
CA-100828	22mm	Compression + MX valve	Setting range 30 - 50°C	20	840

The failsafe merchant thermostatic mixing valve has been specifically designed and manufactured to meet the requirements of the latest National Health Service model engineering specification - D08 and BS 7942 for use in vulnerable person applications. Approved to EN1287:2017 and EN1111:2017 and therefore suitable for domestic applications in compliance with Part G of the Building Regulations.



SPECIFICATION

- Max pressure: 10 bar
- Max incoming temperature: 85°C
- Pressure ratio (H/C or C/H): 6:1

CA-100827



521814



45-65° TEMPERING VALVE - SERIES 5218

Ref no	Size	Connections	Temperature	Box	Carton
521814 *	1/2"	M BSP	Setting range 45 - 65°C	10	
521815 *	3/4"	M BSP	Setting range 45 - 65°C	10	
521816 *	1"	M BSP	Setting range 45 - 65°C	10	
521817	15mm	Compression	Setting range 45 - 65°C	15	
521818	22mm	Compression	Setting range 45 - 65°C	15	
521819	28mm	Compression	Setting range 45 - 65°C	15	

A tempering valve is used in systems where the water in the storage cylinder can reach temperatures significantly above 60°C. In the event of failure of the hot or cold water supplies the tempering valve will automatically shut down in line with the BS EN 15092 test standard.



SPECIFICATION

- Max pressure: 10 bar
- Max incoming temperature: 90°C
- Pressure ratio (H/C or C/H): 2:1

521817



MIXING VALVES - MIXCAL CAREFLO PLUS® & MIXCAL III

MIXCAL CAREFLO PLUS® THERMOSTATIC MIXING VALVE - SERIES 5213+

Ref no	Size	Connections	Temperature	Box	Carton
101-3001	15/22mm	Compression	Setting range 30 - 50°C	1	648
101-3002	15/22mm	Compression	Setting range 30 - 50°C	1	648

The Mixcal Careflo Plus® failsafe thermostatic mixing valves have been designed and manufactured to meet the requirements of BS 7942:2011 and the National Health Service model engineering specification D08 for use in healthcare premises, hospitals, care homes and schools. This valve has a unique feature which allows for thermal disinfection to be performed through to the outlets, helping to protect against Legionella and other microbial organisms. The 101-3001 has a universal tailpiece and adapter and 101-3002 comes complete with universal MX ends with adapter.



SPECIFICATION

- Max pressure: 10 bar
- Max incoming temperature: 85°C
- Pressure ratio (H/C or C/H): 5:1



101-3001



101-3002

MIXING VALVES

MIXCAL III THERMOSTATIC FAILSAFE MIXING VALVE - SERIES 5211

Ref no	Size	Connections	Temperature	Box	Carton
521115	15mm	Compression	Setting range 30 - 65°C	10	360
521122	22mm	Compression	Setting range 30 - 65°C	10	360
CA-MX5115	15mm	Compression	Setting range 30 - 65°C	10	-
CA-MX5122	22mm	Compression	Setting range 30 - 65°C	10	-

Failsafe thermostatic mixing valve, complies with the requirements of EN 1287:2017.

SPECIFICATION

- Max pressure: 10 bar
- Max incoming temperature: 85°C
- Pressure ratio: (H/C or C/H) : 2:1



521122

MIXCAL III GROUP THERMOSTATIC MIXING VALVE - SERIES 5219

Ref no	Size	Connections	Check Valves	Temperature	Box
ALT-521928	28mm	Compression	Yes	Setting range 35 - 65°C	6

SPECIFICATION

- Max pressure: 14 bar
- Max incoming temperature: 90°C
- Pressure ratio: (H/C or C/H) : 2:1



ALT-521928

THERMOSTATIC MIXING VALVES - MX VALVES

AI-495015



MX VALVES (PAIR) - FOR USE WITH SERIES 5211

Ref no	Size	Connections	
AI-495015	15mm x 1"	Compression x F BSP	10
AI-495022	22mm x 1"	Compression x F BSP	10

The MX range of valves c/w isolation valve, check valve and test port strainers. The MX valves have been designed specifically for use with our range of thermostatic mixing valves.



AI-496A05BAG



MX VALVES (PAIR) - FOR USE WITH SERIES 5213

Ref no	Size	Connections	
AI-496A05BAG	15mm x 3/4"	Compression x F BSP	18
AI-490A06BAG	22mm x 1"	Compression x F BSP	10

The MX range of valves c/w isolation valve, check valve and test port strainers. The MX valves have been designed specifically for use with our range of thermostatic mixing valves.



THERMOSTATIC MIXING VALVES - L-PATTERN & MIXCAL VALVES

L-PATTERN THERMOSTATIC MIXING VALVES - SERIES 5200

Ref no	Size	Connections	Temperature	
101-2001	15mm	Compression	Setting range 35 - 65°C	10
101-2002	22mm	Compression	Setting range 35 - 65°C	10
520040	1/2"	M BSP	Setting range 35 - 65°C	10
520050	3/4"	M BSP	Setting range 35 - 65°C	10
520060	1"	M BSP	Setting range 35 - 65°C	5

Adjustable thermostatic mixing valve with knob, complete with check valves and strainers at the inlets.



SPECIFICATION

- Max pressure: 10 bar
- Max incoming temperature: 90°C
- Pressure ratio (H/C or C/H): 2:1
- Certified to EN 1111 and EN 1287.



101-2001

MIXCAL MIXPRO® THERMOSTATIC MIXING VALVES - SERIES 5231

Ref no	Size	Connections	Check Valves	Temperature	
523140	1/2"	M BSP	No	Setting range 35 - 65°C	5
523150	3/4"	M BSP	No	Setting range 35 - 65°C	5
523160	1"	M BSP	No	Setting range 35 - 65°C	5
523170	1 1/4"	M BSP	No	Setting range 35 - 65°C	5
523180	1 1/2"	M BSP	No	Setting range 35 - 65°C	5
523190	2"	M BSP	No	Setting range 35 - 65°C	5
523162	28mm	Compression	No	Setting range 35 - 65°C	5

SPECIFICATION

- Max pressure: 14 bar
- Max incoming temperature: 90°C
- Pressure ratio: (H/C or C/H) : 2:1



523170

THERMOSTATIC MIXING VALVES - ADJUSTABLE & OEM TMV

521411



ADJUSTABLE THERMOSTATIC MIXING VALVE - SERIES 5214



Ref no	Size	Connections	Temperature	
521411	15mm	Compression	Setting range 30 - 50°C	10
521412	22mm	Compression	Setting range 30 - 50°C	10

SPECIFICATION

- Max pressure: 10 bar
- Max incoming temperature: 90°C
- Pressure ratio: (H/C or C/H) : 2:1



521931 CST



OEM THERMOSTATIC MIXING VALVE - SERIES 5213 & 5219



Ref no	Size	Connections	Temperature	
521331 CST	G½"/15mm	Compression	Preset 61°C	20
521332 CST	G½"/15mm	Compression	Preset 51°C	20
521931 CST	G½"/15mm	Compression	Setting range 35 - 65°C	20

SPECIFICATION

- Max pressure: 10 bar
- Max incoming temperature: 85°C
- Pressure ratio: (H/C or C/H) : 2:1



520430



THERMOSTATIC BLENDING VALVE - NON-FAILSAFE VALVE FOR GENERAL USE



Ref no	Size	Connections	Temperature	
520430	½"	F BSP	Setting range 30 - 48°C	50
520440	½"	F BSP	Setting range 40 - 60°C	50
520530	¾"	F BSP	Setting range 30 - 48°C	50
520540	¾"	F BSP	Setting range 40 - 60°C	50
520630	1"	F BSP	Setting range 30 - 48°C	10
520640	1"	F BSP	Setting range 40 - 60°C	10

SPECIFICATION

- Adjustable outlet temperature
- Non-failsafe
- Female connections
- Ideal for underfloor heating

THERMOSTATIC MIXING VALVES

THERMOSTATIC MIXING VALVE FOR SOLAR THERMAL SYSTEMS



Ref no	Size	Connections	Temperature	
252714	½"	M BSP	Setting range 35 - 55°C	10 450



252714

SPECIFICATION

- Max pressure: 10 bar
- Max incoming temperature: 100°C
- Includes check valve and strainers

610 SERIES - 3-WAY MIXING VALVE



Ref no	Size	Connections	Temperature	
610005	¾"	Threaded F BSP	Adjustment range 2 - 110°C	1
610006	1"	Threaded F BSP	Adjustment range 2 - 110°C	1
610007	1¼"	Threaded F BSP	Adjustment range 2 - 110°C	1
610008	1½"	Threaded F BSP	Adjustment range 2 - 110°C	1
610009	2"	Threaded F BSP	Adjustment range 2 - 110°C	1
610020	2½"	Threaded F BSP	Adjustment range 2 - 110°C	1
610050	DN50	Flanged	Adjustment range 2 - 110°C	1
610060	DN65	Flanged	Adjustment range 2 - 110°C	1
610080	DN80	Flanged	Adjustment range 2 - 110°C	1
610100	DN100	Flanged	Adjustment range 2 - 110°C	1
610120	DN125	Flanged	Adjustment range 2 - 110°C	1



610005



610050

SPECIFICATION

- Cast iron body and rotor
- Aluminium cover
- Lever in PA66GF30
- EPDM seals
- Medium: water, glycol solutions
- Max percentage of glycol: 30%
- Temperature range: 2 - 110°C
- Max working pressure: 6 bar
- Can be motorized



THERMOSTATIC BALANCING VALVES

116240



THERMOSTATIC REGULATOR FOR HOT WATER RECIRCULATION LOOPS



Ref no	Size	Description	Box	Unit
116140	½"	Regulator with probe pocket for temperature gauge	10	450
116150	¾"	Regulator with probe pocket for temperature gauge	10	450
116240	½"	Regulator with temperature gauge	10	450
116250	¾"	Regulator with temperature gauge	10	450
116160*	1"	For actuator-controlled thermal disinfection function	5	-
116170*	1¼"	For actuator-controlled thermal disinfection function	5	-
116260	1"	For actuator-controlled thermal disinfection function with gauge	5	-
116270	1¼"	For actuator-controlled thermal disinfection function with gauge	5	-

Thermostatic regulator for domestic hot water recirculation circuits fitted for actuator-controlled thermal disinfection function.



SPECIFICATION

- Kv maximum: 1.8 m³/h, Kv minimum: 0.2 m³/h
- Max working pressure: 10 bar
- Max differential pressure: 1 bar
- Temperature adjustment range: 35 - 60°C (½" - ¾")
- Temperature adjustment range: 35 - 65°C (1" - 1¼")

THERMOSTATIC BALANCING VALVES

INSULATION FOR THERMOSTATIC REGULATOR



Ref no	Description	Box
CBN116140	Insulation for ½" and ¾" multifunction thermostatic regulator 116 series	10
CBN116160	Insulation for 1" and 1¼" multifunction thermostatic regulator 116 series	10

SPECIFICATION

- Closed cell expanded PE-X shell insulation
- Min thickness: 13 mm
- Max thickness: 23 mm
- Inner density: 30 kg/m³
- External density: 80 kg/m³
- Thermal conductivity at 0°C: 0,0345 W/(m·K)
- Thermal conductivity at 40°C: 0,0398 W/(m·K)
- Temperature range: 0 - 100°C
- Fire resistance: (UNI 9177) Class 1

NEW



CBN116140

MIXING VALVES

116441



116 THERMOSTATIC REGULATOR FOR HOT WATER RECIRCULATION



Ref no	Size	Connections	Description	Box	Unit
116415	15mm	RP ½" w/ 15mm compression fitting	Thermostatic regulator	5	450
116420	22mm	RP ¾" w/ 22mm compression fitting	Thermostatic regulator	10	450
116440*	½"	F BSP	Thermostatic regulator	10	450
116441*	½"	F BSP	Thermostatic regulator	10	450
116450	¾"	F BSP	Thermostatic regulator	5	450
116451	¾"	F BSP	Thermostatic regulator	5	450

The Altecnic thermostatic regulator for domestic hot water recirculation loops automatically maintains the specified water temperature.



SPECIFICATION

- Max working pressure: 16 bar
- Max working temperature: 60°C
- Temperature gauge available (code: 116010)
- Temperature adjustment range: 40 - 65°C

THERMOSTATIC MIXING VALVES – LEGIOMIX®

600045



LEGIOMIX® 2.0 6000 SERIES - HYBRID ELECTRONIC MIXING VALVE



Ref no	Size	Connections	
600045	1/2"	M BSP	1
600055	3/4"	M BSP	1
600065	1"	M BSP	1
600075	1 1/4"	M BSP	1
600085	1 1/2"	M BSP	1
600095	2"	M BSP	1

The Legiomix 2.0 hybrid mixing valve combines the typical function of the mechanical thermostatic mixing valve and the management efficiency of an electronic mixing valve in a single device.

The thermostatic mixing valve responds promptly to any variation in temperature, pressure and inlet flow rate to quickly restore the mixed water temperature to the outlet.

The electronic regulator, directly on the actuator, allows the mixed water temperature control according to different functional programs, both for normal control and for the thermal disinfection for the prevention of Legionella.

SPECIFICATION

- Max working pressure (static): 10 bar
- Max incoming temperature: 90°C
- Adjustment temperature range: 35 - 65°C
- Disinfection temperature range: 50 - 85°C

THERMOSTATIC MIXING VALVES - ACCESSORIES

ANTI SCALD DEVICE



Ref no	Size	Connections	
600140	1/2"	M x F BSP	10

The function of the device is to cut off the flow of water if its temperature reaches the set value. Installed directly at the point of use outlet, it prevents the hot water from scalding the user during the thermal disinfection period.

SPECIFICATION

- For use on outlets of showers/taps
- Isolates water when temperature exceeds 48°C



600140

ACCESSORIES FOR THERMOSTATIC MIXING VALVES



Ref no	Description	
CA-100065	15mm tail-piece set for Mixcal III	10
CA-100066	22mm tail-piece set for Mixcal III	10
CA-100977	1/4" temperature measuring point	10
CA-100224	Service kit for Mixcal III	10
CA-5215INT	15mm Merchant Mixing Valve service kit	10
CA-5222INT	22mm Merchant Mixing Valve service kit	10



CA-100977






MIXING VALVES

Pressure Reducing Valves

Pressure reducing valves reduce the incoming pressure from a mains supply or a boosted supply within a building. This limits high-pressure water that can seriously damage components in heating and potable systems which can lead to damage or even burst pipes and seals. Pressure reducing valves (PRV's) are designed to reduce water pressure and maintain it to a set level preventing damage to those components installed downstream of the PRV. The Caleffi range of valves are designed to cover domestic, commercial and light-industrial applications ranging from DN15 to DN300. Meeting the latest European standard and UK water regulations, the range of pressure reducing valves provides pressure control under both dynamic and static flow condition (dependent on model.)

RANGE OVERVIEW

- Size ranges from DN15 – DN300
- Various inlet pressures of up to 25 bar
- Various maximum inlet temperatures of 85°C
- WRAS approved
- Domestic, commercial and light industrial applications

		Domestic use 	Commercial use 	Light industrial use 	
Prescal - Series 533H	✓	✓	✓		✓
Prescal - Series 533C	✓	✓	✓		✓
Prescal - Series 533LB	✓	✓			✓
Prescal - Series 535	✓	✓	✓	✓	✓
Prescal - Series 535H	✓		✓	✓	✓
Prescal - Series 536	✓		✓	✓	✓
Prescal - Series 300	✓		✓		
Series 576			✓		
Series 5360			✓		✓



Pressure Reducing Valves

PRESSURE REDUCING VALVES - SERIES 533

533641H



533741H



533841H



PRESCAL - SERIES 533 HIGH PERFORMANCE PRESSURE REDUCING VALVE WITH COMPRESSION ENDS



Ref no	Size	Max Pressure at Inlet	Outlet Adj Range	Connections	Gauge	Temperature	Box	Tray
533641H	15mm	16 bar	1 - 5.5 bar	Compression	No Port	Max 80°C	20	880
533651H	22mm	16 bar	1 - 5.5 bar	Compression	No Port	Max 80°C	20	880
533741H	15mm	16 bar	1 - 5.5 bar	Compression	Port Only	Max 80°C	20	880
533751H	22mm	16 bar	1 - 5.5 bar	Compression	Port Only	Max 80°C	20	880
533761H	28mm	16 bar	1 - 5.5 bar	Compression	Port Only	Max 80°C	20	880
533841H	15mm	16 bar	1 - 5.5 bar	Compression	With Gauge	Max 80°C	20	880
533851H	22mm	16 bar	1 - 5.5 bar	Compression	With Gauge	Max 80°C	20	880
533861H	28mm	16 bar	1 - 5.5 bar	Compression	With Gauge	Max 80°C	20	880

The series 533 high performance range of pressure reducing valves is designed for domestic and semi-commercial applications.



SPECIFICATION

- Max inlet pressure: 16 bar
- Max temperature: 80°C
- Outlet adj range: 1 - 6 bar
- Pressure gauge connection: G $\frac{1}{4}$ "
- EN 1567 approved
- High flow rate
- Low operational noise

533441H LTC



533241H LTC



PRESCAL - SERIES 533 HIGH PERFORMANCE PRESSURE REDUCING VALVES



Ref no	Size	Max Pressure at Inlet	Outlet Adj Range	Connections	Gauge	Temperature	Box	Tray
533441H LTC	$\frac{1}{2}$ "	16 bar	1 - 5.5 bar	F x F BSP	Port Only	Max 80°C	20	880
533451H LTC	$\frac{3}{4}$ "	16 bar	1 - 5.5 bar	F x F BSP	Port Only	Max 80°C	20	880
533241H LTC	$\frac{1}{2}$ "	16 bar	1 - 5.5 bar	F x F BSP	With Gauge	Max 80°C	20	880
103-2020*	15mm	16 bar	1 - 5.5 bar	Press Fit	With Gauge	Max 80°C	20	880
533251H LTC	$\frac{3}{4}$ "	16 bar	1 - 5.5 bar	F x F BSP	With Gauge	Max 80°C	20	880
103-2021*	22mm	16 bar	1 - 5.5 bar	Press Fit	With Gauge	Max 80°C	20	880

The series 533 high performance range of pressure reducing valves is designed for domestic and semi-commercial applications.



SPECIFICATION

- Max inlet pressure: 16 bar
- Max temperature: 80°C
- Outlet adj range: 1 - 5.5 bar
- Pressure gauge connection: G $\frac{1}{4}$ "
- EN 1567 approved
- High flow rate
- Low operational noise

NEW

PRESSURE REDUCING VALVES - SERIES 533



SERIES 533 COLD PRESSURE REDUCING VALVE

Ref no	Size	Max Pressure at Inlet	Outlet Adj Range	Connections	Gauge	Temperature	Box	Tray
533041	$\frac{1}{2}$ "	16 bar	1 - 6 bar	Screwed Iron	No Port	Max 40°C	20	880
533051	$\frac{3}{4}$ "	16 bar	1 - 6 bar	Screwed Iron	No Port	Max 40°C	20	880
533241	$\frac{1}{2}$ "	16 bar	1 - 6 bar	Screwed Iron	With Gauge	Max 40°C	20	880
103-2010*	15mm	16 bar	1 - 6 bar	Press Fit	With Gauge	Max 40°C	20	880
533251	$\frac{3}{4}$ "	16 bar	1 - 6 bar	Screwed Iron	With Gauge	Max 40°C	20	880
103-2011*	22mm	16 bar	1 - 6 bar	Press Fit	With Gauge	Max 40°C	20	880
533340**	15mm	16 bar	1 - 6 bar	Threaded BSP (G)	No Port	Max 40°C	20	880
533441	$\frac{1}{2}$ "	16 bar	1 - 6 bar	Screwed Iron	Port Only	Max 40°C	20	880
533451	$\frac{3}{4}$ "	16 bar	1 - 6 bar	Screwed Iron	Port Only	Max 40°C	20	880
533641**	15mm	16 bar	1 - 6 bar	Compression	No Port	Max 40°C	20	880
533651**	22mm	16 bar	1 - 6 bar	Compression	No Port	Max 40°C	20	880
533741**	15mm	16 bar	1 - 6 bar	Compression	Port Only	Max 40°C	20	880
533751**	22mm	16 bar	1 - 6 bar	Compression	Port Only	Max 40°C	20	880
533841**	15mm	16 bar	1 - 6 bar	Compression	With Gauge	Max 40°C	20	880
533851**	22mm	16 bar	1 - 6 bar	Compression	With Gauge	Max 40°C	20	880



533041



103-2011*

SPECIFICATION

- Max inlet pressure: 16 bar
- Max temperature: 40°C
- Outlet adj range: 1 - 6 bar
- Pressure gauge connection: G $\frac{1}{4}$ "



NEW



Want to learn more about Pressure Reducing Valves?

Request a FREE copy of our latest Technical Bulletin at technical@altecnic.co.uk



PRESSURE REDUCING VALVES - SERIES 533

533442 CST



PRESCAL - SERIES 533LB PRESSURE REDUCING VALVE - 4MS POSITIVE LIST COMPLIANT



Ref no	Size	Max Pressure at Inlet	Outlet Adj Range	Connections	Gauge	Temperature	Box	Carton
533442 CST	1/2"	12 bar	1 - 6 bar	F x F BSP	Port Only	Max 40°C	20	880

The series 533LB range of pressure reducing valves is designed for domestic and semi-commercial applications.

SPECIFICATION

- Max inlet pressure: 12 bar
- Max temperature: 40°C
- Outlet adj range: 1 - 6 bar
- Pressure gauge connection: G1/4"
- Manufactured with materials from 4MS positive list material - low lead alloy
- Dynamic control
- BS EN 1567 approved



533430H



SERIES 533H INCLINED MICRO PRESSURE REDUCING VALVE



Ref no	Size	Max Pressure at Inlet	Outlet Adj Range	Connections	Gauge	Temperature	Box	Carton
533430H	3/8"	16 bar	0.8 - 4 bar	F x F BSP	Port Only	Max 80°C	20	720
533230H	3/8"	16 bar	0.8 - 4 bar	F x F BSP	With Gauge	Max 80°C	20	720

The series 533H range of pressure reducing valves is designed for domestic and semi-commercial applications.

SPECIFICATION

- Max inlet pressure: 16 bar
- Max temperature: 80°C
- Outlet adj range: 0.8 - 4 bar
- Pressure gauge connection: G1/2"
- Dynamic control



PRESSURE REDUCING VALVES - SERIES 535

PRESCAL - SERIES 535 DIAL UP PRESSURE REDUCING VALVE



Ref no	Size	Max Pressure at Inlet	Outlet Adj Range	Connections	Gauge	Temperature	Box	Carton
535022	22mm	25 bar	1 - 6 bar	Compression	Port Only	Max 40°C	10	720
535041	1/2"	25 bar	1 - 6 bar	M x M BSP	With Gauge	Max 40°C	5	240
103-2030*	15mm	25 bar	1 - 6 bar	Press Fit	With Gauge	Max 80°C	5	240
535051	3/4"	25 bar	1 - 6 bar	M x M BSP	With Gauge	Max 40°C	5	240
103-2031*	22mm	25 bar	1 - 6 bar	Press Fit	With Gauge	Max 80°C	5	240
535061	1"	25 bar	1 - 6 bar	M x M BSP	With Gauge	Max 40°C	5	240
103-2032*	28mm	25 bar	1 - 6 bar	Press Fit	With Gauge	Max 80°C	5	240
535071	1 1/4"	25 bar	1 - 6 bar	M x M BSP	With Gauge	Max 40°C	4	84
103-2033*	35mm	25 bar	1 - 6 bar	Press Fit	With Gauge	Max 80°C	4	84
535081	1 1/2"	25 bar	1 - 6 bar	M x M BSP	With Gauge	Max 40°C	4	84
103-2034*	42mm	25 bar	1 - 6 bar	Press Fit	Port Only	Max 80°C	4	84
535091	2"	25 bar	1 - 6 bar	M x M BSP	With Gauge	Max 40°C	4	84
103-2035*	54mm	25 bar	1 - 6 bar	Press Fit	Port Only	Max 80°C	4	84
535040	1/2"	25 bar	1 - 6 bar	M x M BSP	Port Only	Max 40°C	5	240
535050	3/4"	25 bar	1 - 6 bar	M x M BSP	Port Only	Max 40°C	5	240
535060	1"	25 bar	1 - 6 bar	M x M BSP	Port Only	Max 40°C	5	240
535070	1 1/4"	25 bar	1 - 6 bar	M x M BSP	Port Only	Max 40°C	4	84
535080	1 1/2"	25 bar	1 - 6 bar	M x M BSP	Port Only	Max 40°C	4	84
535090	2"	25 bar	1 - 6 bar	M x M BSP	Port Only	Max 40°C	4	84

The series 535 range of dial up pressure reducing valves is designed for semi-commercial and industrial applications.

SPECIFICATION

- Max inlet pressure: 25 Bar
- Max temperature: 40°C
- Outlet adj range: 1 - 6 bar
- Pressure gauge connection: G1/4"
- BS EN 1567 approved



535022



535051



103-2031*

PRESSURE REDUCING VALVES

PRESSURE REDUCING VALVES - SERIES 535

535015H



535015H



PRESCAL - SERIES 535 HIGH PERFORMANCE DIAL UP PRESSURE REDUCING VALVE



Ref no	Size	Max Pressure at Inlet	Outlet Adj Range	Connections	Gauge	Temperature	Box	Tray
535015H	15mm	25 bar	1 - 6 bar	Compression	Port Only	Max 80°C	10	240
535022H	22mm	25 bar	1 - 6 bar	Compression	Port Only	Max 80°C	10	240
535028H	28mm	25 bar	1 - 6 bar	Compression	Port Only	Max 80°C	5	240
535041H	½"	25 bar	1 - 6 bar	M x M BSP	With Gauge	Max 80°C	5	240
103-2040*	15mm	25 bar	1 - 6 bar	Press Fit	Port Only	Max 80°C	5	240
535051H	¾"	25 bar	1 - 6 bar	M x M BSP	With Gauge	Max 80°C	5	240
103-2041*	22mm	25 bar	1 - 6 bar	Press Fit	With Gauge	Max 80°C	5	240
535061H	1"	25 bar	1 - 6 bar	M x M BSP	With Gauge	Max 80°C	5	240
103-2042*	28mm	25 bar	1 - 6 bar	Press Fit	With Gauge	Max 80°C	5	240
535071H	1¼"	25 bar	1 - 6 bar	M x M BSP	With Gauge	Max 80°C	4	240
103-2043*	35mm	25 bar	1 - 6 bar	Press Fit	With Gauge	Max 80°C	4	240
535081H	1½"	25 bar	1 - 6 bar	M x M BSP	With Gauge	Max 80°C	4	84
103-2044*	42mm	25 bar	1 - 6 bar	Press Fit	With Gauge	Max 80°C	4	84
535091H	2"	25 bar	1 - 6 bar	M x M BSP	With Gauge	Max 80°C	4	84
103-2045*	54mm	25 bar	1 - 6 bar	Press Fit	With Gauge	Max 80°C	4	84
535040H	½"	25 bar	1 - 6 bar	M x M BSP	Port Only	Max 80°C	5	240
535050H	¾"	25 bar	1 - 6 bar	M x M BSP	Port Only	Max 80°C	5	240
535060H	1"	25 bar	1 - 6 bar	M x M BSP	Port Only	Max 80°C	5	240
535070H	1¼"	25 bar	1 - 6 bar	M x M BSP	Port Only	Max 80°C	4	84
535080H	1½"	25 bar	1 - 6 bar	M x M BSP	Port Only	Max 80°C	4	84
535090H	2"	25 bar	1 - 6 bar	M x M BSP	Port Only	Max 80°C	4	84

The series 535 range of dial up pressure reducing valves is designed for semi-commercial and industrial applications.

SPECIFICATION

- Max inlet pressure: 25 bar
- Max temperature: 80°C
- Outlet adj range: 1 - 6 bar
- Pressure gauge connection: G¼"
- Factory setting: 3 bar
- Certification: BS EN 1567
- Static control



PRESSURE REDUCING VALVES - SERIES 536

PRESCAL - SERIES 536 PRESSURE REDUCING VALVE



Ref no	Size	Max Pressure at Inlet	Outlet Adj Range	Connections	Gauge	Temperature	Box	Tray
536040	½"	25 bar	0.5 - 6 bar	M x M BSP	Port Only	Max 80°C	5	180
536050	¾"	25 bar	0.5 - 6 bar	M x M BSP	Port Only	Max 80°C	5	180
536060	1"	25 bar	0.5 - 6 bar	M x M BSP	Port Only	Max 80°C	5	180
536070	1¼"	25 bar	0.5 - 6 bar	M x M BSP	Port Only	Max 80°C	4	180
536080	1½"	25 bar	0.5 - 6 bar	M x M BSP	Port Only	Max 80°C	4	180
536590	2"	25 bar	0.5 - 6 bar	M x M BSP	Port Only	Max 80°C	1	1
536041	½"	25 bar	0.5 - 6 bar	M x M BSP	With Gauge	Max 80°C	5	180
536051	¾"	25 bar	0.5 - 6 bar	M x M BSP	With Gauge	Max 80°C	5	180
536061	1"	25 bar	0.5 - 6 bar	M x M BSP	With Gauge	Max 80°C	5	180
536071	1¼"	25 bar	0.5 - 6 bar	M x M BSP	With Gauge	Max 80°C	4	180
536081	1½"	25 bar	0.5 - 6 bar	M x M BSP	With Gauge	Max 80°C	4	180
536591	2"	25 bar	0.5 - 6 bar	M x M BSP	2 Gauges	Max 80°C	1	1
536240	½"	25 bar	0.5 - 6 bar	F x F BSP	Port Only	Max 80°C	5	180
103-2050*	15mm	25 bar	0.5 - 6 bar	Press Fit	With Gauge	Max 80°C	5	180
536250	¾"	25 bar	0.5 - 6 bar	F x F BSP	Port Only	Max 80°C	5	180
103-2051*	22mm	25 bar	0.5 - 6 bar	Press Fit	With Gauge	Max 80°C	5	180
536260	1"	25 bar	0.5 - 6 bar	F x F BSP	Port Only	Max 80°C	5	180
103-2052*	28mm	25 bar	0.5 - 6 bar	Press Fit	With Gauge	Max 80°C	5	180
536241	½"	25 bar	0.5 - 6 bar	F x F BSP	With Gauge	Max 80°C	5	180
536251	¾"	25 bar	0.5 - 6 bar	F x F BSP	With Gauge	Max 80°C	5	180
536261	1"	25 bar	0.5 - 6 bar	F x F BSP	With Gauge	Max 80°C	5	180
536660	DN65	25 bar	0.5 - 6 bar	Flanged PN16	2 Gauges	Max 80°C	1	1

The series 536 range of pressure reducing valves is designed for semi-commercial and industrial applications.

SPECIFICATION

- Max inlet pressure: 25 bar
- Max temperature: 80°C
- Outlet adj range: 0.5 - 6 bar
- Pressure gauge connection: G¼"
- Static control



536040



536251



536660



103-2051*



PRESSURE REDUCING VALVES

PRESSURE REDUCING VALVES - SERIES 300

FL-300100



FULL BORE

PRESCAL - SERIES 300 PRESSURE REDUCING VALVE WITH FLANGED CONNECTIONS



Ref no	Size	Max Pressure at Inlet	Connections	Gauge	Temperature	
FL-30050	DN50	16 bar	Flanged PN16	With Gauge	Max 85°C	1
FL-30065	DN65	16 bar	Flanged PN16	With Gauge	Max 85°C	1
FL-30080	DN80	16 bar	Flanged PN16	With Gauge	Max 85°C	1
FL-300100	DN100	16 bar	Flanged PN16	With Gauge	Max 85°C	1
FL-300150	DN150	16 bar	Flanged PN16	With Gauge	Max 85°C	1
FL-300200	DN200	16 bar	Flanged PN16	With Gauge	Max 85°C	1
FL-300250	DN250	16 bar	Flanged PN16	With Gauge	Max 85°C	1
FL-300300	DN300	16 bar	Flanged PN16	With Gauge	Max 85°C	1

The series 300 range is designed for commercial and industrial applications.

SPECIFICATION

- Max inlet pressure: 16 bar
- Max temperature: 85°C
- Pressure gauge connection: G $\frac{1}{4}$ "
- Flanged PN16 (PN25 on request)
- Pilot operated offering total control



PRESSURE REDUCING VALVES - SERIES 576 & 5360

SERIES 576 - DIRECT ACTING PRESSURE REDUCING VALVE



Ref no	Size	Connections	Temperature	
576062	DN65	Flanged PN16	Max 60°C	1
576082	DN80	Flanged PN16	Max 60°C	1
576102	DN100	Flanged PN16	Max 60°C	1
576122	DN125	Flanged PN16	Max 60°C	1
576152	DN150	Flanged PN16	Max 60°C	1

The model 576 reduces a higher inlet pressure to a lower downstream pressure, regardless of upstream pressure and flow variations. The simple and robust design allows stable operation, minimal maintenance as well as an assembly in various positions.

SPECIFICATION

- Max temperature: 60°C
- Pressure gauge connection: G $\frac{1}{4}$ "
- Flanged PN16 (PN25 & PN40 on request)
- Max upstream pressure: 16 bar
- Downstream pressure: 2 - 14 bar



576082

SERIES 5360 - PRESSURE REDUCING VALVE FOR 1ST STAGE CONTROL



Ref no	Size	Connections	Temperature		
536043 AUS	$\frac{1}{2}$ "	M x M BSP	Max 80°C	5	180
536053 AUS	$\frac{3}{4}$ "	M x M BSP	Max 80°C	5	180
536063 AUS	1"	M x M BSP	Max 80°C	5	180
536073 AUS	1 $\frac{1}{4}$ "	M x M BSP	Max 80°C	5	180
536083 AUS	1 $\frac{1}{2}$ "	M x M BSP	Max 80°C	5	180

The 5360 pressure reducing valve is a high performance valve manufactured specifically for high rise buildings and other applications where high pressures are present and require staged pressure control. The 5360 pressure reducing valve carries out the first stage of pressure reduction in a two valve series where the pressure ratio between the inlet and outlet would be too high for a single pressure reducing valve to control.

SPECIFICATION

- Max inlet pressure: 25 bar
- Max temperature: 80°C
- Pressure gauge connection: G $\frac{1}{4}$ "
- Includes gauge
- Outlet pressure setting range: 6 - 10 bar
- Factory setting: 8 bar



536043

NEW

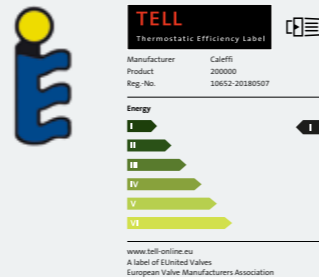
PRESSURE REDUCING VALVES

Radiator Valves

Thermostatic radiator valves are typically used for regulating the flow to radiators of central heating systems. The Altecnic range of radiator valves is designed to cover domestic and commercial applications. Covering 8mm to 15mm, ½" to ¾" female BSP. Our renowned Ecocal thermostatic radiator valves meet the latest European standards including TELL 'I' rating. Ecocal TRV's are particularly ideal for use in conventional twin pipe heating systems where the level of temperature control needs to be more accurate than is available through a manually operated valve. These models have been carefully manufactured for either retrofit or new installations and have a reversible body for either horizontal or vertical fitting. Suitable for either on-flow or return pipework, these TRVs provide the installer with flexibility.

RANGE OVERVIEW

- Size ranges from 8mm to 15mm, ½" to ¾" female BSP
- Angled and straight body
- Max working pressures of up to 10 bar
- Domestic and commercial applications



Model Series	Body Pattern	Domestic use		Commercial use		TELL Rating 'I'
		🏠	🏢	🏢	🏠	
Ecocal™ Thermostatic Radiator Valves	Angled / Straight	✓	✓	✓	✓	✓
Commercial Thermostatic Radiator Valves	Angled / Straight	✓	✓	✓	✓	✓
Commercial Pre-settable Thermostatic Radiator Valves	Angled / Straight			✓	✓	✓
Eclipse Manual Radiator Valves	Angled / Straight	✓				
Decorative Manual Radiator Valves	Angled / Straight	✓				
Dynamical Presettable Thermostatic Radiator Valve	Angled / Straight	✓	✓	✓	✓	✓



Radiator Valves

RADIATOR VALVES - ECOCAL™

CA-200425 LTC



ECO CAL™ THERMOSTATIC RADIATOR VALVES

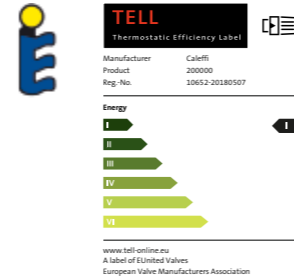
Ref no	Size	Connections	Body	Finish	Box	Tray
CA-200428MS	8mm x 1/2"	Compression x M BSP	Angled	White head	50	1200
200420 LTC	10mm x 1/2"	Compression x M BSP	Angled	White head	50	1200
200425 LTC	15mm x 1/2"	Compression x M BSP	Angled	White head	50	1200
CA-200455	15mm x 1/2"	Compression x M BSP	Angled	Chrome head	50	1200
CA-201010	10mm x 1/2"	Compression x M BSP	Straight	White head	50	1200
200465 LTC	15mm x 1/2"	Compression x M BSP	Straight	White head	50	1200
CA-201013	10mm x 1/2"	Compression x M BSP	Straight	Chrome head	50	1200
CA-201011	15mm x 1/2"	Compression x M BSP	Straight	Chrome head	50	1200

CA-201011



SPECIFICATION

- Temperature setting range: 0°C - 28°C
- Max working pressure: 10 bar
- Frost Setting: 7°C



200445 LTC - TWIN PACK



ECO CAL™ TWIN PACKS

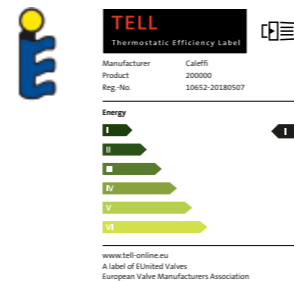
Ref no	Size	Connections	Body	Finish	Box	Tray
200440 LTC	10mm x 1/2"	Compression x M BSP	Angled	White head	20	640
200445 LTC	15mm x 1/2"	Compression x M BSP	Angled	White head	20	640
CA-200456	10mm x 1/2"	Compression x M BSP	Angled	Chrome head	20	640
200455 LTC	15mm x 1/2"	Compression x M BSP	Angled	Chrome head	20	640
CA-200478	10mm x 1/2"	Compression x M BSP	Straight	White head	20	640
200475 LTC	15mm x 1/2"	Compression x M BSP	Straight	White head	20	640
CA-200477	10mm x 1/2"	Compression x M BSP	Straight	Chrome head	20	640
200485 LTC	15mm x 1/2"	Compression x M BSP	Straight	Chrome head	20	640

200485 LTC



SPECIFICATION

- Temperature setting range: 7°C - 28°C
- Max working pressure: 10 bar
- Frost Setting: 7°C



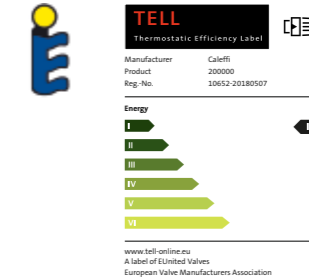
RADIATOR VALVES - ECO CAL™ ACCESSORIES

ECO CAL™ THERMOSTATIC HEAD

Ref no	Description	Box	Tray
200014 CST	Ecocal™ chrome head and collar	50	620
CA-200000	Ecocal™ TRV head and collar	40	620
CA-100793	Tamperproof guard and allen key for tamperproof guard	100	620

SPECIFICATION

- Temperature setting range: 0°C - 28°C
- Max working pressure: 10 bar
- Frost Setting: 7°C



CA-200000



CA-100793

ECO CAL™ ACCESSORIES

Ref no	Size	Description	Box	Tray
200001	N/A	Ecocal™ head only*	50	620
201000	N/A	Ecocal™ Remote Sensor Head 2m	10	620
472000	N/A	Remote adjusting and sensing for TRV 2m capillary	30	620
BI-100001	15mm x 8mm	Reducing bullet	400	620
BI-100002	15mm x 10mm	Reducing bullet	400	620
CA-100793	N/A	Tamperproof guard and allen key for tamperproof guard	100	620
CA-200510	10mm	Ecocal™ with elbows	20	640



201000



472000

RADIATOR VALVES

RADIATOR VALVES - DYNAMICAL®

230402



DYNAMICAL® PRESETTABLE THERMOSTATIC RADIATOR VALVE - NON-REVERSIBLE



Ref no	Size	Connections	Body	Description	Box	Carton
230402	½"	Threaded BSP (G)	Angled	With rubber seal	50	610
230500	¾"	Threaded BSP (G)	Angled	With rubber seal	25	610
231402	½"	Threaded BSP (G)	Straight	With rubber seal	50	610
231500	¾"	Threaded BSP (G)	Straight	Without rubber seal	25	610
232412*	½"	Threaded BSP (G)	Angled	With rubber seal - LF*	50	610
233412*	½"	Threaded BSP (G)	Straight	With rubber seal - LF*	50	610

NEW*

231402



SPECIFICATION

- Temperature setting range: 5°C - 95°C
- Max working pressure: 10 bar
- Max percentage of glycol: 30%
- Order with CA-200000 Ecolal™ standard head and collar

*LF model has low flow rates min. setting 10l/h

431503



431 & 432 SERIES LOCKSHIELD VALVES



Ref no	Size	Connections	Body	Description	Box	Carton
431503	¾"	Threaded BSP (G)	Angled	Lockshield	25	610
431603	1"	Threaded BSP (G)	Angled	Lockshield	25	610
432503	¾"	Threaded BSP (G)	Straight	Lockshield	25	610
432603	1"	Threaded BSP (G)	Straight	Lockshield	25	610

SPECIFICATION

- Temperature setting range: 5 - 100°C
- Max working pressure: 10 bar
- Fluid: water, glycol solutions
- Max percentage of glycol: 30%

432503



105-1513



DYNAMICAL® TWIN PACK



Ref no	Size	Connections	Body	Description	Box	Carton
105-1513	½"	Threaded BSP (G)	Angled	With rubber seal	25	610
105-2205	¾"	Threaded BSP (G)	Angled	With rubber seal	25	610
105-1514	½"	Threaded BSP (G)	Straight	With rubber seal	25	610
105-2206	¾"	Threaded BSP (G)	Straight	Without rubber seal	25	610
105-1532*	½"	Threaded BSP (G)	Angled	With rubber seal - LF*	25	610
105-1533*	½"	Threaded BSP (G)	Straight	With rubber seal - LF*	25	610

NEW*

105-1514



SPECIFICATION

- Temperature setting range: 5°C - 95°C
- Max working pressure: 10 bar
- Lockshield temperature range: 5°C - 100°C
- Max percentage of glycol: 30%
- Scale of adjustment ΔP (reg. 1-4) 10 - 150 kPa (reg. 5-6) 15 - 150 kPa

*LF model has low flow rates min. setting 10l/h

RADIATOR VALVES - COMMERCIAL THERMOSTATIC VALVES

COMMERCIAL PRE-SETTABLE THERMOSTATIC RADIATOR VALVES



421402

Ref no	Size	Connections	Body	Box	Carton
421402	½" x ½"	F x M BSP	Angled	50	610
422402	½" x ½"	F x M BSP	Straight	50	610



SPECIFICATION

- Temperature setting range: 0°C - 28°C
- Max differential pressure: 1 bar
- Frost setting: 7°C
- Order with CA-200000 Ecolal™ standard head and collar

COMMERCIAL THERMOSTATIC RADIATOR VALVES (NON-REVERSIBLE)



220402

Ref no	Size	Connections	Body	Box	Carton
220402	½" x ½"	F x M BSP	Angled	50	610
220500	¾" x ¾"	F x M BSP	Angled	5	610
221402	½" x ½"	F x M BSP	Straight	50	610
221500	¾" x ¾"	F x M BSP	Straight	25	610
224402*	½" x ½"	F x M BSP	Angled	20	610
CA-200000		Ecolal™ head and collar		40	610



224402

SPECIFICATION

- Temperature setting range: 0°C - 28°C
- Max differential pressure: 1 bar
- Order with CA-200000 Ecolal™ standard head and collar

* Horizontal sensor



CA-200000



RADIATOR VALVES - SERIES 400 & ECLIPSE MANUAL VALVES

431503



RADIATOR VALVE - SERIES 400 (NON-REVERSIBLE)



Ref no	Size	Connections	Body	Description	📦	🏠
431402	1/2" x 1/2"	F x M BSP	Angled	Lockshield	50	610
431503**	3/4" x 3/4"	F x M BSP	Angled	Lockshield	25	610
401500*	3/4" x 3/4"	F x M BSP	Angled	Wheelhead	25	610
411402	1/2" x 1/2"	F x M BSP	Angled	Wheelhead	25	610
432402	1/2" x 1/2"	F x M BSP	Straight	Lockshield	25	610
432503**	3/4" x 3/4"	F x M BSP	Straight	Lockshield	25	610
402500	3/4" x 3/4"	F x M BSP	Straight	Wheelhead	25	610
412402	1/2" x 1/2"	F x M BSP	Straight	Wheelhead	25	610

* Convert to TRV with CA-200000 ** Without rubber

SPECIFICATION

- Temperature setting range: 5°C - 100°C
- Max working pressure: 10 bar

410410 LTC



ECLIPSE MANUAL RADIATOR VALVES



Ref no	Size	Connections	Body	Description	📦	🏠
CA-410408	8mm x 1/2"	Compression x M BSP	Angled	White head	50	1800
410410 LTC	10mm x 1/2"	Compression x M BSP	Angled	White head	50	1800
410415 LTC	15mm x 1/2"	Compression x M BSP	Angled	White head	50	1800
CA-410425	15mm x 1/2"	Compression x M BSP	Angled	Chrome head pair	50	1800
CA-406408	8mm x 1/2"	Compression x M BSP	Straight	White head	50	1800
CA-406410	10mm x 1/2"	Compression x M BSP	Straight	White head	50	1800
406415 LTC	15mm x 1/2"	Compression x M BSP	Straight	White head	50	1800
CA-406425	15mm x 1/2"	Compression x M BSP	Straight	Chrome head pair	50	1800

SPECIFICATION

- 10 bar, BS 2767:10, serviceable packing gland
- Designed to match all the demands of modern sealed systems as well as traditional open vented systems
- Lockshield cap purpose designed to match Ecocal™
- Max operating pressure: 10 bar
- Polished chrome finish (where appropriate)

CA-410425



RADIATOR VALVES

SCREWED IRON THERMOSTATIC RADIATOR VALVE



Ref no	Size	Body	Connections	Description	📦	🏠
105-1501	1/2"	Angled	Threaded BSP (G)	Wheel head	50	1800
105-2201	3/4"	Angled	Threaded BSP (G)	Wheel head	50	1800
105-1502	1/2"	Straight	Threaded BSP (G)	Wheel head	50	1800
105-2203	3/4"	Straight	Threaded BSP (G)	Wheel head	50	1800
105-1503	1/2"	Angled	Male thread BSP (R)	Lockshield	50	1800
105-2203	3/4"	Angled	Male thread BSP (R)	Lockshield	50	1800
105-1504	1/2"	Straight	Male thread BSP (R)	Lockshield	50	1800
105-2204	3/4"	Straight	Male thread BSP (R)	Lockshield	50	1800

SPECIFICATION

- Max working temperature: 100°C
- Max working pressure: 10 bar

105-1501



105-1502



SCREWED IRON THERMOSTATIC RADIATOR VALVE TWIN PACK



Ref no	Size	Body	Description	📦	🏠
105-1505	1/2"	Angled	Thermostatic radiator valve + LS	50	1800
105-2205	3/4"	Angled	Thermostatic radiator valve + LS	50	1800
105-1506	1/2"	Straight	Thermostatic radiator valve + LS	50	1800
105-2206	3/4"	Straight	Thermostatic radiator valve + LS	50	1800

SPECIFICATION

- Temperature setting range: 0°C - 28°C
- Max working pressure: 10 bar
- Max differential pressure: 1 bar
- Frost setting: 7°C

105-1505



105-1506



RADIATOR VALVES - DECORATIVE RADIATOR VALVES

YU-JQAL024LC



DECORATIVE POLISHED RADIATOR VALVES



Ref no	Size	Connections	Body	Description	Box	Carton
YU-JQAL024LC	15mm x 1/2"	Compression x M BSP	Straight	Modern pair	30	1080
YU-JQAL025LC	15mm x 1/2"	Compression x M BSP	Angled	Modern pair	30	1080
YU-JQAL026LC	15mm x 1/2"	Compression x M BSP	Straight	Minimalistic cross head x2	18	1080
YU-JQAL028LC	15mm x 1/2"	Compression x M BSP	Angled	Traditional cross head x2	18	1080
YU-JQAL029LC	15mm x 1/2"	Compression x M BSP	90° corner	Modern pair	20	1200

YU-JQAL026LC



SPECIFICATION

- Max working temperature: 85°C
- Max working pressure: 10 bar

YU-JQAL029LC



YU-JQAL031LC



NEW

CLASSIC CHROME FINISH RADIATOR VALVE



Ref no	Size	Connections	Description	Box	Carton
YU-JQAL031LC	1/2"	Threaded BSP (G)	Polished Chrome Finish	20	200

The Classic thermostatic radiator valve, lockshield valve and radiator vent are of durable construction giving dependable performance for building services and domestic applications.

The chrome finish of the valves is ideal for designer interiors, period decors or restoration projects.

SPECIFICATION

- Max working temperature: 85°C
- Max working pressure: 10 bar
- Supplied with matching airvent

RADIATOR VALVES - DUAL FUEL RADIATOR VALVES

DUAL FUEL POLISHED RADIATOR VALVES



Ref no	Size	Connections	Description	Box	Carton
105-3001	15 mm x 1/2"	15mm compression x 1/2" M BSP	Dual Fuel Corner Radiator Valve	20	960

The wheelhead valve has the facility to allow an electric heater to pass through the valve into the vertical leg of a towel rail. When this is connected to an electricity supply it allows the towel rail to be heated when the central heating boiler is switched off, for example in summer.

SPECIFICATION

- Supplied as pair of wheelhead and lockshield valve



105-3001



T-PIECE FOR DUAL FUEL INSTALLATIONS



Ref no	Size	Connections	Box	Carton
106-3002	1/2" x 1/2" x 1/2"	M x F x F BSP	144	5760



106-3002

EXTENSION PIECES & FLOW DIFFERENTIAL BYPASS VALVE

106-1010



106-1012



YU-JQAL213HC



RADIATOR EXTENSION PIECES



Ref no	Size	Connections	Description		
106-1010	½"	F x M	10mm	232	-
106-1015	½"	F x M	15mm	576	-
106-1020	½"	F x M	20mm	480	-
106-1025	½"	F x M	25mm	384	-
106-1030	½"	F x M	30mm	360	-
106-1040	½"	F x M	40mm	288	-
106-1060	½"	F x M	60mm	192	-
106-1080	½"	F x M	80mm	144	-
106-1100	½"	F x M	100mm	108	-
106-1009	½"	DN15 x 15mm	100 mm Self cutting	144	-
106-1012	½"	DN15 x 15mm	60 mm Self cutting	180	-
106-1013	½"	DN15 x 15mm	60mm Telescopic	252	-
106-1014	½"	DN15 x 15mm	80mm Telescopic	198	-
YU-JQAL213HC	½"	DN15 x 15mm	Ecocal™ and Eclipse radiator drain off tail piece	200	4000

EXTENSION PIECES & FLOW DIFFERENTIAL BYPASS VALVE

PUSH FIT ELBOW



Ref no	Size	Description		
459004	15mm x 10mm	15mm plain tail x 10mm pushfit elbow (pair)	25	2375
106-2001	15mm x 15mm	15mm plain tail x 15mm pushfit elbow (pair)	100	-



459004

SPECIFICATION

- Supplied in pairs
- Solder-free connection
- Demountable push fit

ECOPAS FULL FLOW DIFFERENTIAL BYPASS VALVE



Ref no	Size	Connections	Delta P Range	Temp	
519500	¾" x ¾"	F x M BSP	Adjustment range 10 - 60 kPa	Max 110°C	50
519700	1¼" x 1¼"	F x M BSP	Adjustment range 10 - 60 kPa	Max 110°C	10
519504	¾" x ¾"	F x M BSP	Adjustment range 100 - 400 kPa	Max 110°C	50
519002 GLW	22mm x 22mm	Compression x compression	Adjustment range 10 - 60 kPa	Max 110°C	50



519002 GLW

Valves for use on heating systems where control is by zone or thermostatic radiator valves. Fitted between flow and return permitting circulation through boiler and helps prevent unnecessary cycling of boiler.

SPECIFICATION

- Temperature setting range: 0 - 110°C
- Max working pressure: 10 bar
- Medium: water, glycol solutions
- Max percentage of glycol: 30%

NEW

CALEFFI CODE® REMOTE THERMAL REGULATION SYSTEM FOR RADIATORS



Ref no	Colour	Description	
215510	White	Wireless electronic control for thermostatic or convertible radiator valves	10
215001	White	Wireless ambient temperature sensor	10
215002	White	Wireless ambient temperature sensor with boiler contact	10
215100	White	Wireless multi-zone temperature regulation gateway	10
215015	White	Wireless multi-zone temperature regulation gateway with built-in GSM, UMTS, LTE modem.	10
215510 BLK	Black	Wireless electronic control for thermostatic or convertible radiator valves	10
215001 BLK	Black	Wireless ambient temperature sensor	10
215002 BLK	Black	Wireless ambient temperature sensor with boiler contact	10
215100 BLK	Black	Wireless multi-zone temperature regulation gateway	10
215015 BLK	Black	Wireless multi-zone temperature regulation gateway with built-in GSM, UMTS, LTE modem	10
449300 BLK	Black	Knob for lockshield valve	10

With Caleffi CODE®, you can individually control the temperature of each room in your home. Manage every room wherever you are, at any time, using your smartphone app. Adjust the temperature to your needs following a few simple steps.



Program your comfort as you wish
You can program every moment of the day for each room. The system helps you by suggesting the best scheduling for you: all you need to do is answer a few simple questions.

Ready for any request
Too hot? Lower the temperature of one or more rooms temporarily without changing the programmed settings. Are you doing the cleaning with open windows? Lower the temperature temporarily: ventilation will be efficient, with no unnecessary costs, allowing you to help the environment and save money. Are you about to receive unexpected guests and want to make sure they are as comfortable as possible? Increase the temperature temporarily without changing your usual programming criteria.

Holiday Mode
Are you about to leave and have forgotten to turn off the heating? Use the app wherever you are. Don't worry, you will find just the right temperature when you get back.

Comfort Control
The COMFORT CONTROL thermostatic head detects the temperature of the room thanks to its integrated sensors and automatically adjusts it according to your preferences. Thanks to the colours of the integrated LED, you can keep the temperature under control at a glance. Try it yourself!

Gateway
GATEWAY is the brain of the entire system. It controls and manages your home heating according to your programming and your needs, communicating with valves and sensors and interacting with the CALEFFI CODE® app.

Sensor
The SENSOR temperature sensor improves temperature detection in the areas where it is installed, ensuring the ideal temperature.

The CALEFFI CODE® smart heating system has been designed for every style. Especially for the one you like.



code.caleffi.com

**THE BEAUTY...
OF INTELLIGENCE**



Introducing **CALEFFI CODE®** The NEW Smart thermostatic control from Caleffi. Control the heating of your home from the comfort of your smartphone or tablet. Contemporary Italian design combined with Caleffi research and quality. **CALEFFI GUARANTEED.**

Mechanical Thermostats

Altecnic offer a range of mechanical thermostats providing you with solutions for temperature control.

RANGE OVERVIEW

- Thermometers
- Thermostats (TR2, TRZ, LS1, LS3 Ranges)
- Thermo-manometers
- Encased dual thermostat
- Room thermostats
- Cylinder thermostat

TR2

Adjustable control thermostat, measuring temperature through a liquid filled sensing element with single pole double throw contacts. SPDT contacts, usually used to adjust the temperature of boilers, electric radiators, ovens, washing machines and other various applications. The sensing bulb may be supplied with pocket or fitting for liquid sealing.

TRZ

Two stage, adjustable control thermostat, measuring temperature through a liquid filled sensing element with single pole double throw contacts. SPDT contacts, usually used to adjust the temperature of boilers, electric radiators, ovens, washing machines and other various applications. The sensing bulb may be supplied with pocket or fitting for liquid sealing. It can be equipped with a mechanical device for contacts opening.

LS1/LS3

Safety limit thermostat, measuring temperature through a liquid filled sensing element with single pole double throw contacts. SPDT contacts, manual or automatic reset, usually used to limit the temperature in boilers, electric radiators, ovens, washing machines and other various applications when a maximum safety temperature is not to be exceeded. The sensing bulb may be supplied with pocket or fitting for liquid sealing.

Thermometers

Thermometer with liquid filled sensing bulb. Particularly suitable for boilers, refrigerators, catering equipment and household appliances. Available in different bodies and options: capillary length, bulb dimension, custom made dial.

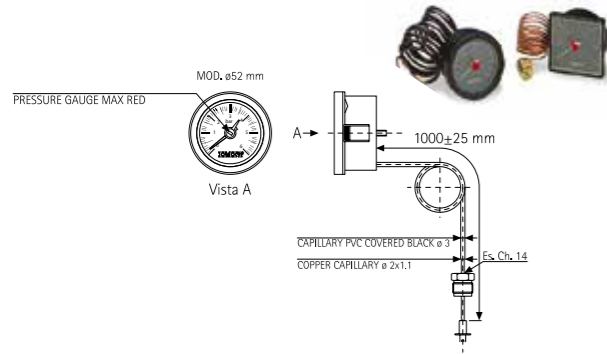


Mechanical Thermostats

MECHANICAL THERMOSTATS

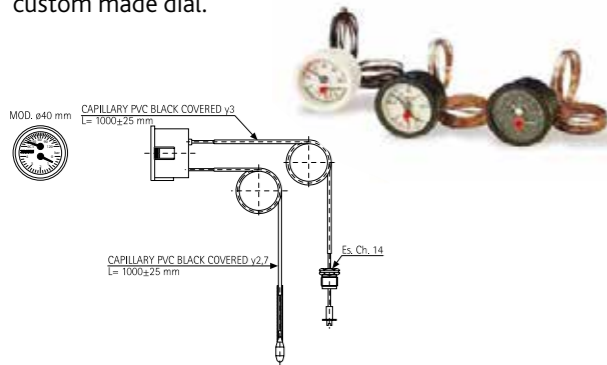
Pressure Gauges

Pressure gauge with capillary. Particularly suitable for boilers, steam cleaners and household appliances. Available in different bodies and options: capillary length, bulb dimension, custom made dial.



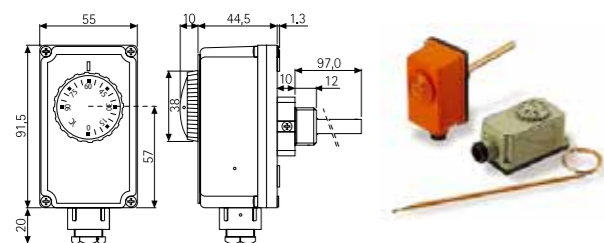
Temperature Pressure Gauges

Temperature and pressure gauge with liquid filled sensing bulb (thermometer) and capillary with quick coupling (pressure). Particularly suitable for boilers and household appliances. Available in different bodies and options: capillary length, bulb dimension, custom made dial.



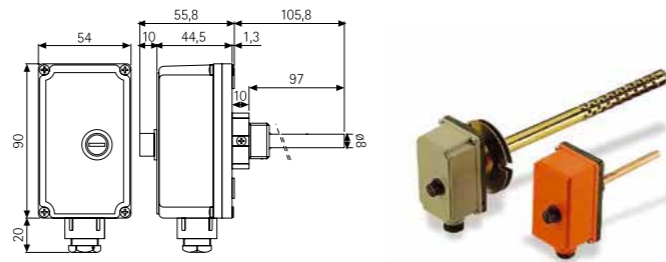
TC2

Immersion thermostat, measuring temperature through a liquid filled sensing element. SPDT contacts, complete with water proof protection pocket. The thermostat, usually used to measure temperature on the primary heating pipe circuit is particularly suitable for automatic adjustment of boilers, pumps and other various applications. It's available also in capillary version. Approvals: ENEC, DIN, INOIL, conformity to PED standards.



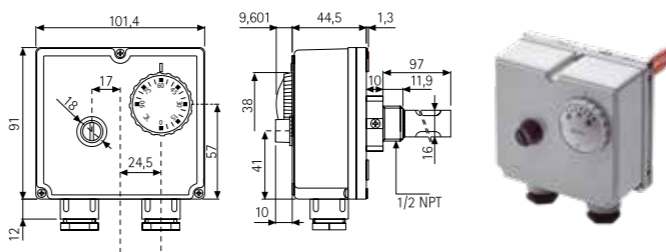
LSC1

Immersion thermostat, measuring temperature through a liquid filled sensing element. Single pole contacts, safety limiter with manual or automatic reset and failsafe protection safety in the event of capillary breakage complete with water proof protection pocket. The thermostat, usually used to measure temperature on the primary heating pipe circuit is particularly suitable for heating plants and for all the applications when a maximum temperature is not to be exceeded. Approvals: ENEC, DIN, ISPESEL, conformity to PED standards.



TLSC

Encased immersion double thermostat, single pole contacts, liquid expansion sensing elements, works as temperature adjuster and limiter with manual reset (TLSC) or automatic reset (TLSC/A) and failsafe protection in the event of capillary breakage. It comes complete with protection pocket. Approvals: ENEC, DIN, INOIL, conformity to PED standards.



MECHANICAL THERMOSTATS

ROOM THERMOSTATS



Ref no	Temp	
IM-100077	5/30°C	20

SPECIFICATION

- Wall mountable



SURFACE CONTACT THERMOSTATS



Ref no	Temp	
IM-BRC/545830	20/90°C	50

SPECIFICATION

- IP rating: 20
- Compact design
- Strap available under code IM-003951



SINGLE IMMERSION THERMOSTAT - 1/2" POCKET ADJUSTABLE



Ref no	Temp	Pocket Size	Capillary		
IM-TC2/542470	0/90°C	1/2"	100mm	20	600

Single control thermostat with case.

SPECIFICATION

- IP rating: 40
- Single pole double thread
- Complete with 1/2" pocket
- Max bulb temperature: 125°C



DUAL IMMERSION THERMOSTAT - 1/2" POCKET X 120MM PROBE



Ref no	Temp	Pocket Size		
IM-TLSC/542816	60/90°C	1/2" X 120mm	20	400

High limit thermostat with control thermostat in a case ideal for fitting on unvented cylinders or boilers.

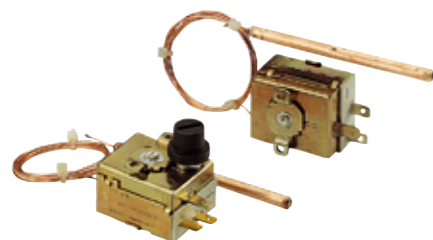
SPECIFICATION

- IP rating: 40
- Complete with 1/2" pocket
- Max bulb temperature: 150°C
- High limit: 90/110°C



MECHANICAL THERMOSTATS

SAFETY LIMIT THERMOSTATS



Ref no	Temp	Capillary	Box	Carton
IM-LS1/541510	90/110°C	1,000mm	100	

SPECIFICATION

- Max bulb temperature: 125°C
- Bulb diameter 95mm max, 65mm min
- Capillary length 1,000mm
- Single pole double thread

FLOW SWITCH FOR HEATING AND AIR CONDITIONING SYSTEMS

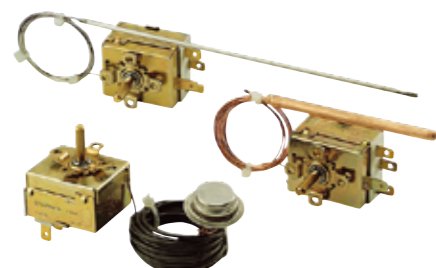


Ref no	Description
626600	Flow switch for heating and air conditioning systems

SPECIFICATION

- Max working pressure: 10 bar
- Working temperature range: -30 to 120°C

CONTROL THERMOSTATS



Ref no	Temp	Capillary	Box	Carton
IM-TR2/540010	0/90°C	1,000mm	100	2400
IM-TR2/540020	0/300°C	1,000mm	100	2400
IM-TR2/540030	0/40°C	1,000mm	100	2400
IM-TR2/540043	-30/+34.5°C	1,000mm	100	2400
IM-TR2/540140	64/210°C	1,000mm	100	2400
IM-TR2/540160	0/120°C	1,000mm	100	2400

Adjustable thermostat ideal for fitting inside casings to prevent live connections being touched as they are exposed.

SPECIFICATION

- Panel mounting, liquid-filled capillary and sensing element (not including knobs and bezels)
- Capillary length: 1,000mm
- Single pole double throw

MECHANICAL THERMOSTATS

IMMERSION CONTROL THERMOSTAT



Ref no	Size	Capillary	Description	Box	Carton
IM-TC2/542450	½"	97mm	0°/90°C adjustable - grey	20	600

Single control thermostat with case and temperature range from 0 to 90°C.

SPECIFICATION

- IP rating: 40
- Compact design
- Complete with ½" pocket
- Max bulb temperature: 125°C



LIMIT THERMOSTAT



Ref no	Size	Capillary	Description	Box	Carton
IM-LSC1/543039	½"	95mm	80°C limit - No pocket	20	600

Thermostat with case and cap for external fitting on boilers.



DUAL IMMERSION THERMOSTAT



Ref no	Size	Description	Box	Carton
IM-TLSC/542902	½"	25/65°C adjustable & 80°C limit - white	20	400

Thermostat with case for fitting on unvented cylinders or boilers.

SPECIFICATION

- IP rating: 40
- Max bulb temperature: 150°C
- No pocket





Underfloor Heating

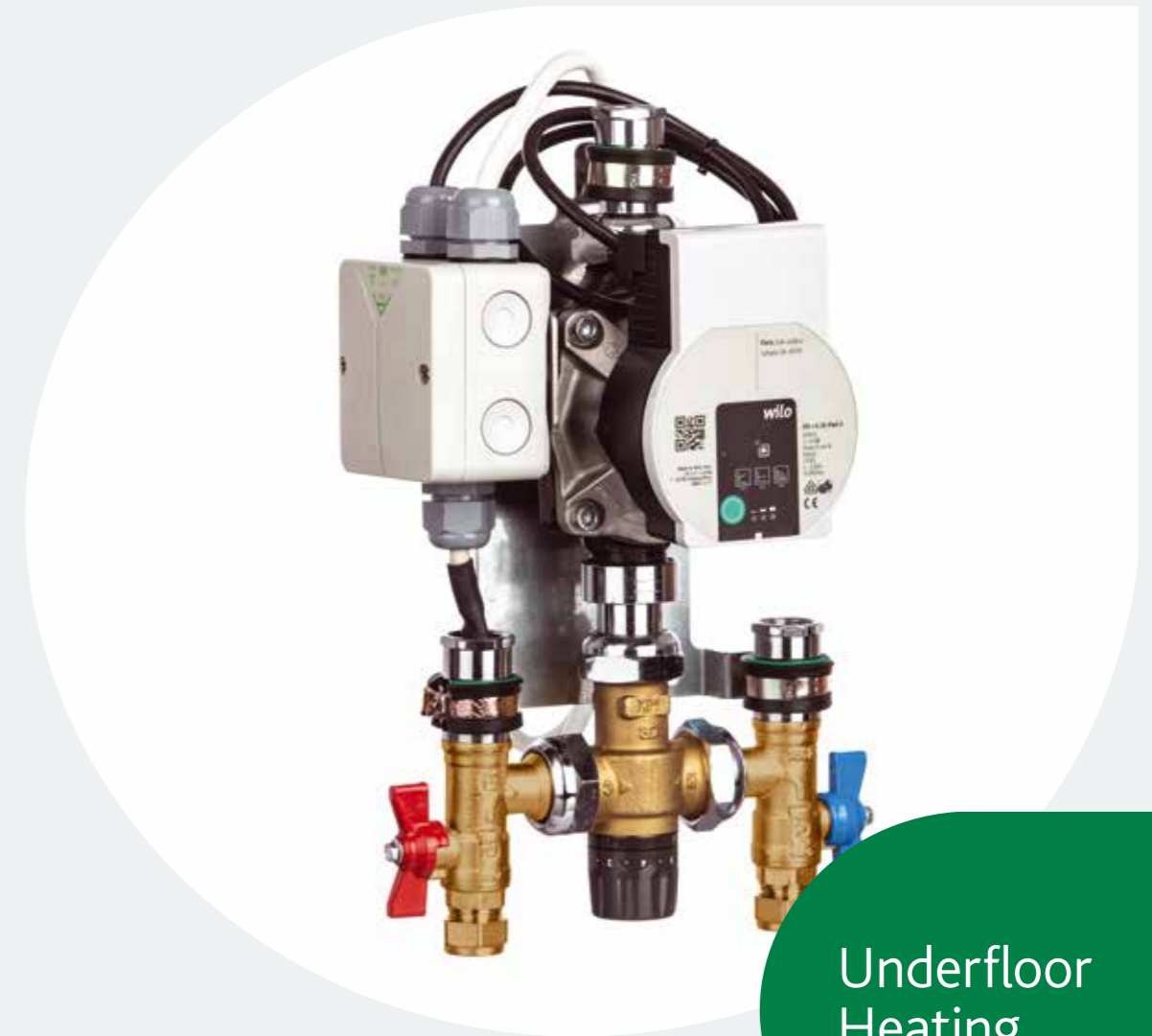
Underfloor heating is not only highly efficient but also has great design and aesthetic appeal. Altecnic offers a number of solutions for modern underfloor heating.

RANGE OVERVIEW

- Models to suit small systems or larger systems and compatible with distribution manifolds
- Max working pressure of up to 10 bar

Application Guide

Model Series	Application	High Efficiency Pump	Domestic use 	Commercial use 
UFH Control Unit	15kW Output	✓	✓	✓
UFH Compact Control Unit	3kW Output	✓	✓	



Underfloor Heating

UFH CONTROL UNIT



Ref no	Connector Size	Description	Box	Unit
502-1050	G1 ½"	UFH Control Unit WITH pump (Wilo)	10	420
502-1051	G1 ½"	UFH Control Unit WITHOUT pump	10	420

The UFH Control Unit is designed to supply temperature controlled hot water to the underfloor heating system or in radiant panel heating systems.

It is designed to be easily connected to any 210mm flow and return manifold (not supplied) to evenly distribute the hot water.

The UFH Control Unit is supplied as a collection of components for easy assembly at site.

The flow elbow has 2 liquid crystal thermometers to indicate temperature and a test port which are to be used to install an air vent or pressure gauge.

The UFH Control Unit is normally supplied with the Wilo Para 25-130/7-50/SC-12 pump but can also be supplied without a pump.

SPECIFICATION

- Medium: water or glycol solution
- Max glycol percentage: 30%
- Temperature range: 5 to 90°C
- Temperature adjustment range: 35 to 60°C
- Factory setting: 35°C
- Accuracy: ±2°C
- Max working pressure: 10 bar
- Male thread connections: BS EN ISO 228-1
- Primary side connection centre distance: 75mm
- Manifold connection centre distance: 210 mm

UFH COMPACT CONTROL UNIT



Ref no	Connector Size	Description	Box
502-1012	15mm & ½"	UFH Compact Unit WITH pump (Wilo)	10

The Altecnic UFH single zone control unit is designed for use on smaller heating circuits such as conservatories and extensions. It provides temperature controlled pre-mixed water to underfloor heating zones with a heat output of up to 3kW, satisfying underfloor areas up to 40 square metres.

The Altecnic UFH is pre-assembled and wired for installer convenience and is supplied complete with a mounting bracket for installation on a wall. A pre-wired flow thermostat is connected via a wiring centre to the pump, which in turn has a mains cable supplied for connection to the power supply.

SPECIFICATION

- Provides mixed temperature water control to underfloor heating systems 3kW maximum

ACTUATORS

Ref no	Description	Box
656102	230v ON/OFF thermoelectric actuator	10
656104	24v ON/OFF thermoelectric actuator	10



656102

The thermo-electric actuator, coupled with convertible or thermostatic radiator valves, with distribution manifolds for radiant panel systems and radiators and with zone valves, is controlled by the room thermostat or another electrical switch, shutting off the medium automatically.

SPECIFICATION

- Electric supply 230 V (ac); 24 V (ac); 24 V (dc)
- Starting current ≤ 1A
- Running current 13 mA (230 V (ac)), 140 mA (24 V (ac) - 24 V (dc))
- Running power consumption 3 W
- Protection class IP 44 (in vertical position)
- Ambient temperature range 0 - 50°C
- Operating time from 120 to 180 seconds

Did you know?

Altecnic provides training on all of our products.

For more information contact us on
+44 (0)1785 218 206

Sealed Systems

Sealed primary central heating systems are the most commonly used form of heating system throughout Europe and the rest of the developed world. The ease of installation of a sealed system makes it particularly attractive to the installer, eliminating the feed and expansion tank and associated pipework, and therefore reducing the risk of corrosion and noise in the system.

RANGE OVERVIEW

- Available in 8 to 80 litres
- Nitrogen filled sealed systems
- Compact sealed systems available
- Domestic and commercial applications
- PED compliant

HEATING VESSEL SIZING GUIDE

Boiler output		Vessel size per system static head		
kw	btu/hr	5 m (Litre)	10 m (Litre)	10 m (Litre)
10	34120	8	12	18
15	51180	12	18	24
20	68240	12	18	35
25	85300	18	25	35
35	119421	25	35	50
40	136480	35	35	80
		0.5 bar	1.0 bar	1.5 bar
Vessel pre-charge (set by installer)				



Also refer to the Altecnic expansion vessel sizing calculator **FREE** on request.



Sealed Systems

SEALED SYSTEMS - ROBOKITS

CA-900012



CE marked

ROBOKIT EXTRA SEALED SYSTEM - NITROGEN FILLED



Ref no	Vessel (Litre)	Expansion Vessel	Filling Loop	Mounting Bracket	Safety Relief Valve w/gauge	Manifold Fitting	
CA-900008	8	Y	Y	Y	Y	Y	84
CA-900012	12	Y	Y	Y	Y	Y	60
CA-900018	18	Y	Y	Y	Y	Y	60
CA-900024	25	Y	Y	Y	Y	Y	48
CA-900035	35	Y	Y	N	Y	Y	24
CA-900050CP	50	Y	Y	N	Y	Y	24
CA-900080	80	Y	Y	N	Y	Y	18

SPECIFICATION

- Reflex vessel includes Altecnic 5-year warranty
- Nitrogen filled
- Not suitable for potable water



109-5005



SPACE SAVING

CE marked

ROBOKIT COMPACT SEALED SYSTEM



Ref no	Vessel (Litre)	Expansion Vessel	Filling Loop	Mounting Bracket	Safety Relief Valve w/gauge	Manifold Fitting
109-5005	8	Y	Y	Y	Y	Y
109-5006	12	Y	Y	Y	Y	Y
109-5007	18	Y	Y	Y	Y	Y

SPECIFICATION

- Sealed system kit comprising: expansion vessel up to 18 litre capacity, filling loop, safety relief valve, pressure gauge, integral mounting bracket and assembly connector allowing left or right installation on the system

109-5008



SPACE SAVING

CE marked

ROBOKIT COMPACT PLUS SEALED SYSTEM



Ref no	Vessel (Litre)	Expansion Vessel	Filling Loop	Mounting Bracket	Safety Relief Valve w/gauge	Manifold Fitting	
109-5008	8	Y	Y	Y	Y	Y	42
109-5009	10	Y	Y	Y	Y	Y	-
109-5010	12	Y	Y	Y	Y	Y	-

SPECIFICATION

- Sealed system kit comprising: expansion vessel up to 12 litre capacity, WRAS Approved filling loop, safety relief valve, pressure gauge, integral mounting bracket and assembly connector allowing left or right installation on the system

SEALED SYSTEMS - KITS & FILLING LOOPS

ROBOKIT SEALED SYSTEM KITS



Ref no	Size	Description		
CA-900000	15mm	1/2" sealed system kit (for 8 litre to 24 litre) with tapered vessel connection.	1	200
CA-900001	15mm	Filling loop, safety relief valve w/gauge, mounting bracket, manifold fitting.	1	200
CA-100000	15mm	Filling loop, safety relief valve w/gauge, manifold fitting.	1	200
CA-100085	15mm	Filling loop, safety relief valve (remote from Robokit), pressure gauge, mounting bracket, manifold fitting.	1	200
109-7001*	15mm	Robokit essentials sealed system kit	1	200
109-8001*	15mm	Robokit premium sealed system kit	1	200

SPECIFICATION

- Sealed system filling kit comprising: filling loop, safety relief valve complete with gauge, mounting bracket to suit up to 25 litre capacity and manifold fitting
- Water regulations G24.1 and 24.2 compliant filling loop

Please note: sealed system kits do not include vessel



CA-900000

109-8001

FILLING LOOPS



Ref no	Size	Description		
CA-300001	15mm	Robofil auto filling loop	25	-
CA-300606	15mm	Ecofil filling loop (G24 approved) *	50	1200
CA-300611	15mm	Ecofil+ filling loop, cap and collar (G24 approved) *	50	1600
J1-300608	15mm	Robofil filling loop (as used in Robokit) *	20	1500
ALT-ST0035	15mm	Filling loop with built-in gauge	20	480

Used to fill sealed systems from the mains cold water. *



SPECIFICATION

- Approved flexible hoses complete with check valves
- Comply with water regulations and use WRAS approved components * Water regulation G24.1 and 24.2 compliant where indicated



CA-300611

CA-300001

ALT-ST0035

ACCESSORIES FOR FILLING LOOPS



Ref no	Size	Description	
YU-JQAL304	15mm	Cap, collar & washer	800



YU-JQAL304

SEALED SYSTEMS - MATRIX DIGITAL PRESSURISATION UNIT



MATRIX MINI

Ref no	Description	Filled Weight - Kg	Empty Weight - Kg	6
121-1001	Matrix Mini 130D	3.6	6.6	6
121-1002	Matrix Mini 230D	4.2	7.2	6

Suitable for maintaining pressure in large domestic and commercial sealed heating systems, chilled water systems, refrigeration units and industrial cooling systems. Matrix Mini units are exceptionally easy to install and commission and are housed in a compact and robust enclosure suitable for wall mounting.

CE marked



MATRIX MIDI

Ref no	Description	Filled Weight - Kg	Empty Weight - Kg	6
121-1011	Matrix Midi 135D	13.4	23.4	6
121-1012	Matrix Midi 150D	13.4	23.4	6
121-1013	Matrix Midi 235D	19.4	29.4	6
121-1014	Matrix Midi 250D	19.4	29.4	6

Suitable for maintaining pressure in large domestic and commercial sealed heating systems, chilled water systems, refrigeration units and industrial cooling systems. Matrix Midi units feature continuously rated brass peripheral pumps, are exceptionally easy to install and commission and are suitable for either floor or wall mounting.

CE marked



MATRIX MAXI

Ref no	Description	Filled Weight - Kg	Empty Weight - Kg	6
121-1021	Matrix Maxi 180D	34.0	52.0	6
121-1022	Matrix Maxi 280D	45.0	63.0	6

Suitable for maintaining pressure in large domestic and commercial sealed heating systems, chilled water systems, refrigeration units and industrial cooling systems. Matrix Maxi 8.0 bar units are exceptionally easy to install and commission and are housed in a compact and robust enclosure for floor mounting.

CE marked



SEALED SYSTEMS - MATRIX DIGITAL PRESSURISATION UNIT

The Altecnic range of digital pressurisation units represent the next generation of automatic filling and pressure maintenance solutions for sealed heating and chiller systems.

Unique Monocoque Design

Offers a compact unit that can be wall or floor mounted. Along with flexible hose connections easily configured to be left or right handed.

Advanced Digital Controls

Featuring intuitive, easy to use menu system and backlit LCD matrix display.

Premium Quality Pumps

Available in single (duty) or twin pump (duty-standby) options, offering balanced usage based on run time and extended life.

Precise Pressure Transducer

Closed loop control featuring precise system pressure monitoring and top up. System pressure control operates in 0.1 bar increments.

Robust Break Tank

Up to 18 litres capacity and with a WRAS approved fill valve offering high flow rates of 12 litres/minute. Features include type AB air gap and weir overflow.

External Alarm

Multiple Volt-free contacts and BMS connectivity to external alarms and systems.

- ✓ Simple & convenient to install
- ✓ Easy & quick commissioning
- ✓ High reliability
- ✓ Monitoring and control
- ✓ Category 5 compatible
- ✓ System connectivity

PERFORMANCE

- Up to 300,000 litre systems
- Duty or Duty Standby options
- Up to 8.0 bar pressure options
- 3 to 18 litre tank capacity options
- High flow fill valve
- Quiet operation

QUALITY

- Built-in safety – low voltage controls
- WRAS Approved fill valve
- ISO 9001:2015
- BS EN 60335 compliant
- CE compliant

RELIABILITY

- 2 year guarantee
- Robust construction
- Continuously rated pumps
- Dry run protection

Expansion Vessels

An expansion vessel is a vessel normally used to contain excess water pressure within a closed water heating system. A pressurised membrane within the expansion vessel (also called a bladder or diaphragm) allows the ingress or egress of water from the system to maintain a constant pressure. As water cannot be compressed in a closed water circuit, any increase in temperature needs to be accommodated and this is done by the expansion vessel.

RANGE OVERVIEW

- Heating vessels available in 8 to 800 litres
- Potable vessels available in 8 to 1000 litres
- Flow through vessels available in 8 to 600 litres
- Nitrogen filled vessels
- 5 year warranty
- Domestic and commercial applications

HEATING VESSEL SIZING GUIDE

Boiler output		Vessel size per system static head		
kw	btu/hr	5 m (Litre)	10 m (Litre)	10 m (Litre)
10	34120	8	12	18
15	51180	12	18	24
20	68240	12	18	35
25	85300	18	25	35
35	119421	25	35	50
40	136480	35	35	80
		0.5 bar	1.0 bar	1.5 bar
Vessel pre-charge (set by installer)				

Also refer to the Altecnic expansion vessel sizing calculator **FREE** on request.

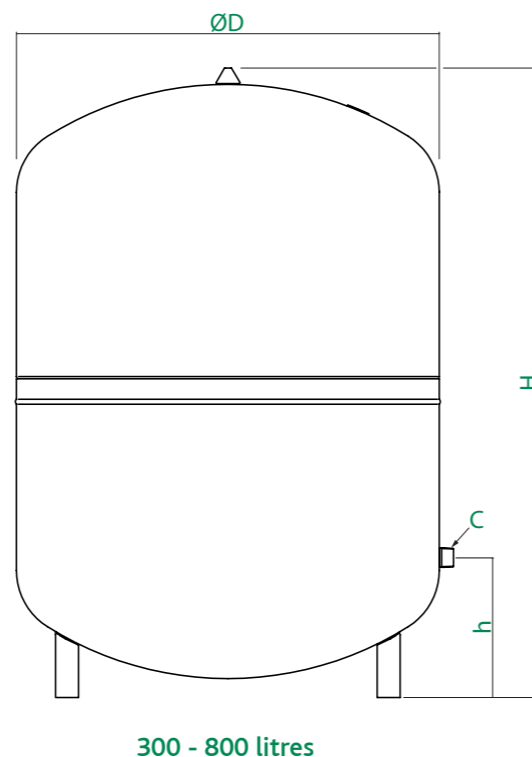
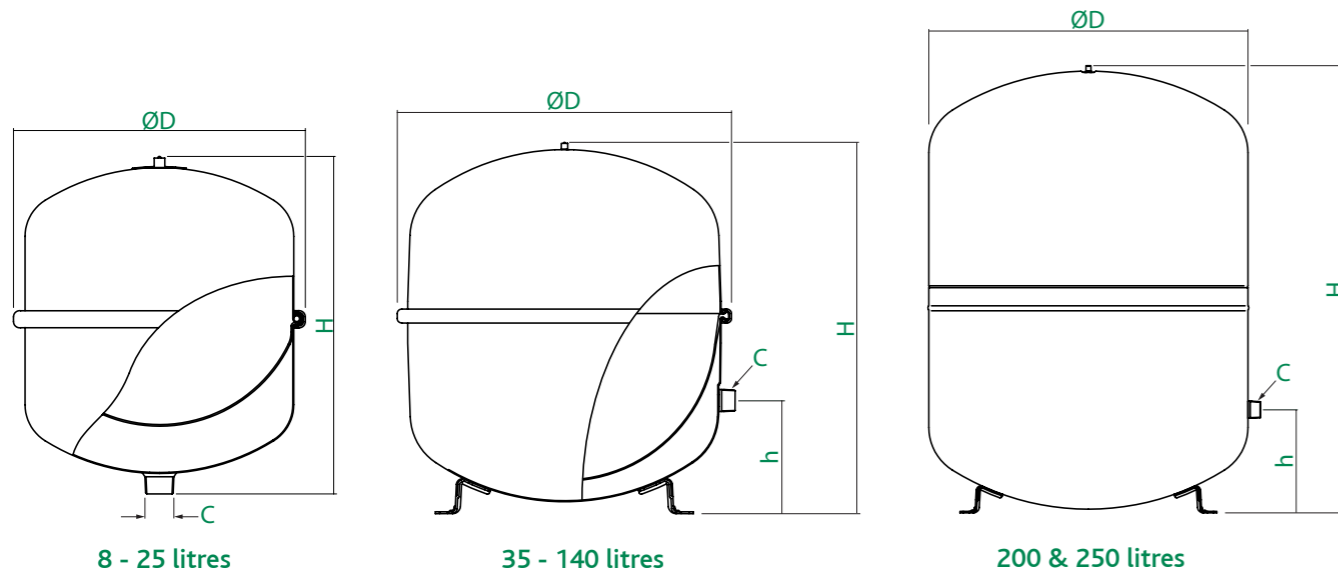
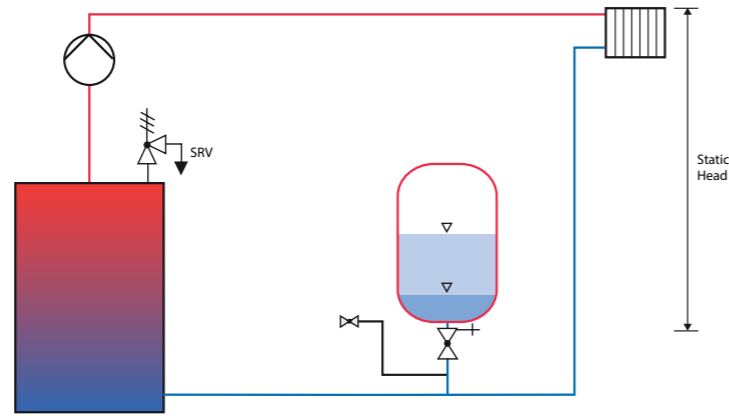


Heating expansion vessels sizing

Heating Vessel Calculation

$$V = \frac{e \times C}{[1 - (P_{prec} + 0.3 + 1) \div (P_{max} + 1)]}$$

V = Vessel size
 e = Coefficient of water expansion
 C = System volume in litres
 P_{max} = System pressure in Bar
 P_{prec} = Precharge pressure in Bar



Materials	
Component	Material
Shell	Carbon steel
Connections	Carbon steel
Diaphragm	Synthetic rubber compound
Coating	Powder epoxy

HEATING EXPANSION VESSELS 8 - 25 LITRES

Ref. no	Cap (L)	Dia (Ø D mm)	Ht (H mm)	Connection (inches)	Wt (kg)	Max pressure	Bracket	MM
HV8C	8	272	235	R ¾	1.7	3 bar	No	84
HV12C	12	272	315	R ¾	2.3	3 bar	No	60
HV18C	18	308	365	R ¾	2.8	3 bar	No	60
HV25C	25	308	485	R ¾	3.5	3 bar	No	48
HVB8C	8	272	235	R ¾	1.7	3 bar	Yes	84
HVB12C	12	272	315	R ¾	2.3	3 bar	Yes	60
HVB18C	18	308	365	R ¾	2.8	3 bar	Yes	60
HVB25C	25	308	485	R ¾	3.5	3 bar	Yes	48

SPECIFICATION

- Test pressure: 1.5 x max working pressure
- Max flow operating temperature: 120°C
- Max vessel operating temperature: 70°C
- Factory pre-charge: 1.5 bar - nitrogen
- Membrane: Synthetic Rubber



CE marked



HEATING EXPANSION VESSELS 35 - 140 LITRES

Ref. no	Cap (L)	Dia (Ø D mm)	Ht (H mm)	Connection (inches)	Wt (kg)	Max pressure	MM
HV35C	35	376	465	R ¾	5.7	3 bar	24
HV50C	50	441	495	R ¾	7.5	6 bar	24
HV80C	80	512	570	R 1	9.9	6 bar	12
HV100C	100	512	680	R 1	11.2	6 bar	10
HV140C	140	512	895	R 1	14.5	6 bar	8

SPECIFICATION

- Test pressure: 1.5 x max working pressure
- Max flow operating temperature: 120°C
- Max vessel operating temperature: 70°C
- Factory pre-charge: 1.5 bar - nitrogen
- With feet
- Membrane: Synthetic Rubber



CE marked



HEATING EXPANSION VESSELS 200 - 800 LITRES

Ref. no	Cap (L)	Dia (Ø D mm)	Ht (H mm)	Connection (inches)	Wt (kg)	Max pressure	MM
HV200W	200	634	760	R 1	37	6 bar	4
HV250W	250	634	890	R 1	45	6 bar	4
HV300W	300	634	1090	R 1	52	6 bar	1
HV400W	400	740	1090	R 1	65	6 bar	1
HV500W	500	740	1290	R 1	79	6 bar	1
HV600W	600	740	1530	R 1	85	6 bar	1
HV800W	800	740	1995	R 1	103	6 bar	1

SPECIFICATION

- Test pressure: 1.5 x max working pressure
- Max flow operating temperature: 120°C
- Max vessel operating temperature: 70°C
- Factory pre-charge: 1.5 bar - nitrogen
- With feet
- 300l - 800l vessels palletised
- Membrane: Synthetic Rubber



CE marked



VESSELS - HEATING VESSELS

HV8F

SPACE SAVING



CE marked

OEM HEATING VESSELS



Ref no	Cap (L)	Connections	Dia (Ø D mm)	Ht (Ø H mm)	Max pressure	3D	5D
HV8F	8	G 3/4"	324	129	3 bar	56	56
HV10F	10	G 3/4"	324	139	3 bar	48	48
HV12F	12	G 3/4"	324	169	3 bar	40	40

SPECIFICATION

- Flat vessel for expansion on heating systems and boilers
- Max working pressure: 3 bar
- Max vessel operating temperature: 70°C

SPACE SAVING



CE marked

NITROGEN FILLED VESSELS

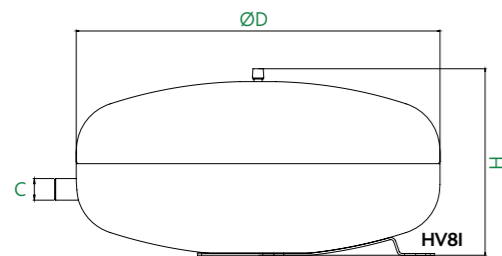
HEATING VESSELS C/W INTEGRATED BRACKETS



Ref no	Cap (L)	Dia (Ø D mm)	Ht (Ø H mm)	Connections	Max pressure	3D	5D
HV8I	8	287	163	G 1/2"	3 bar	1	76
HV12I	12	362	168	G 1/2"	3 bar	56	56
HV18I	18	362	222	G 3/4"	3 bar	1	27
HV25I	25	409	239	G 1/2"	3 bar	1	48
HV35I	35	480	240	G 3/4"	3 bar	1	24
HV50I	50	480	318	G 3/4"	3 bar	1	2
HV80I	80	634	325	G 3/4"	3 bar	1	1

SPECIFICATION

- Flat vessel for expansion on heating systems and boilers
- Max working pressure: 3 bar
- Max vessel operating temperature: 70°C



8 - 80 litres

VESSELS - ACCESSORIES

LOCKABLE ISOLATION VALVE



Ref no	Description	3D	5D
PVA34L	3/4" lockable isolation valve	50	1200



PVA34L

SPECIFICATION

- Tamper-proof
- Max working pressure: 10 bar
- Min working temperature: 120°C
- With drain port

ACCESSORIES FOR EXPANSION VESSELS



Ref no	Description	3D	5D
RS-MB2	Potable vessel mounting bracket 8 litre - 18 litre (with strap)	80	2880
RS-MB24	Potable vessel mounting bracket 25 litre (2 straps) only	20	480
PVADG	Digital hand-held pressure gauge	20	480



RS-MB2



PVADG

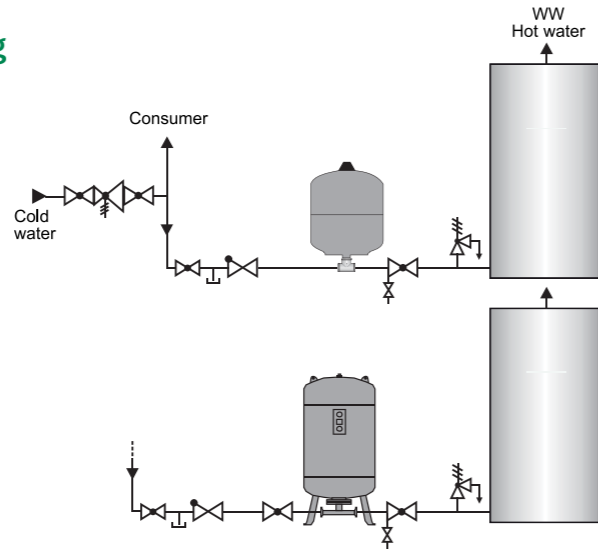
VESSELS - POTABLE VESSELS

Potable water expansion vessels sizing

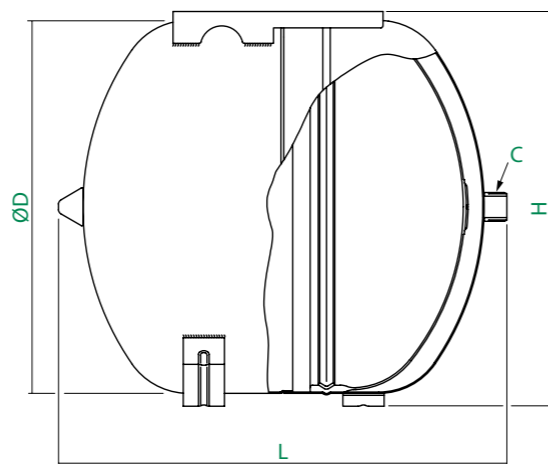
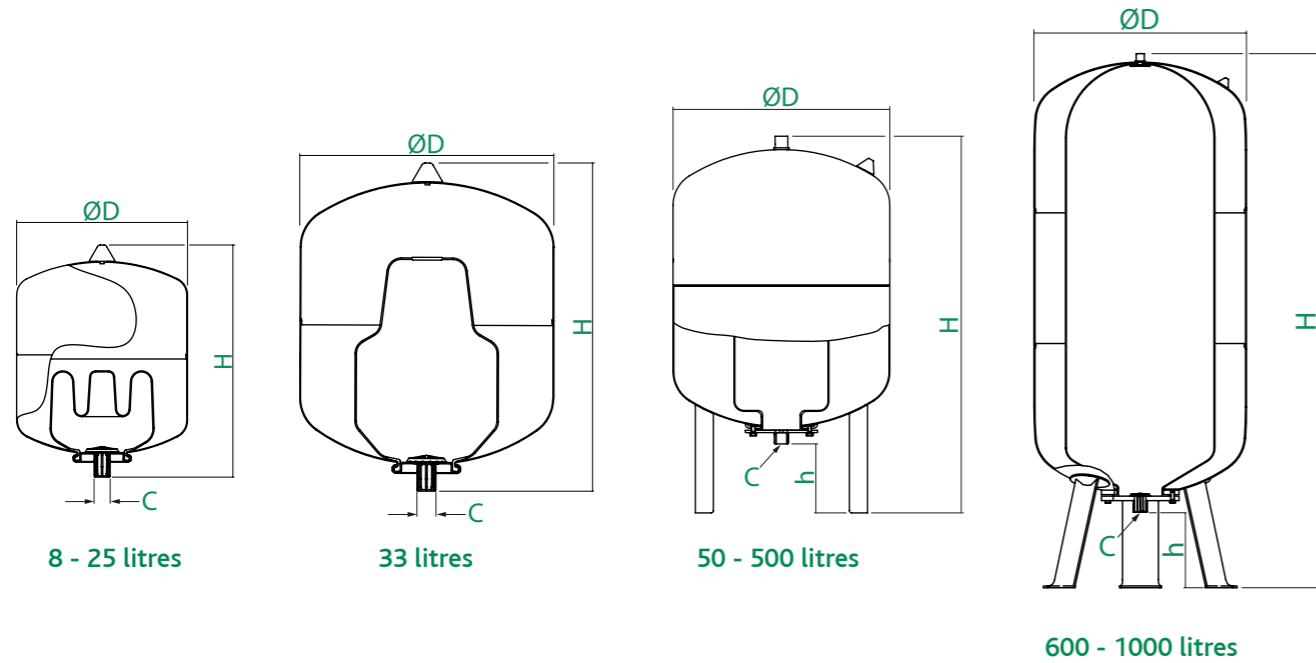
Potable Water Vessel Calculation

$$V = \frac{e \times C}{[1 - (P_{prec} + 1) \div (P_{max} + 1)]}$$

- V = Vessel size
- e = Coefficient of water expansion
- C = System volume in litres
- P_{max} = System pressure in Bar
- P_{prec} = Precharge pressure in Bar
- P_{max} = The set pressure of the system safety relief valve (typically 6 Bar)
- P_{prec} = The set pressure of the system pressure reducing valve (typically 3 Bar)



* Note system layouts are indicative only. Refer to relevant standards.



Horizontal range

Materials	
Component	Material
Shell	Carbon steel
Connections	Carbon steel with plastic insert
Diaphragm	Butyl
Coating	Powder epoxy

VESSELS - POTABLE VESSELS

VERTICAL POTABLE WATER EXPANSION VESSELS 8 - 33 LITRES

Ref. no	Cap (L)	Dia (Ø D mm)	Ht (H mm)	Connection (inches)	Wt (kg)	Max pressure	M
PV8W	8	206	335	G ¾	1.8	10 bar	96
PV12W	12	280	310	G ¾	2.4	10 bar	60
PV18W	18	280	410	G ¾	2.8	10 bar	56
PV25W	25	280	520	G ¾	4.7	10 bar	42
PV33W	33	354	455	G ¾	6.6	10 bar	24



SPECIFICATION

- Max working pressure: 10 bar
- Max vessel operating temperature: 70°C
- Factory pre-charge: 4.0 bar - nitrogen
- System water connection thread: BS EN ISO 228 - male
- Membrane: Fixed Butyl

VERTICAL POTABLE WATER EXPANSION VESSELS 50 - 1000 LITRES

Ref. no	Cap (L)	Dia (Ø D mm)	Ht (H mm)	Connection (inches)	Wt (kg)	Max pressure	M
PV50W	50	409	605	G 1	9.5	10 bar	20
PV60W	60	409	740	G 1	14	10 bar	12
PV80W	80	480	745	G 1	16	10 bar	10
PV100W	100	480	850	G 1	19	10 bar	10
PV140W	140	480	1015	R 1	29	10 bar	8
PV200W	200	634	970	G 1¼	40	10 bar	4
PV300W	300	634	1270	G 1¼	54	10 bar	1
PV400W	400	740	1245	G 1¼	70	10 bar	1
PV500W	500	740	1475	G 1¼	79	10 bar	1
PV600W	600	740	1860	G 1½	103	10 bar	1
PV800W	800	740	2325	G 1½	195	10 bar	1
PV1000W	1000	740	2804	G 1½	228	10 bar	1

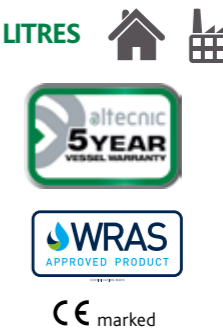


SPECIFICATION

- Max working pressure: 10 bar
- Max vessel operating temperature: 70°C
- Factory pre-charge: 4.0 bar - nitrogen
- Membrane: Replaceable Butyl (PV140W: Fixed Butyl)
- System water connection thread: BS EN ISO 228 - male
- 140 litre size: BS EN 10226 - male
- Top connection 80 litre +
- 300l - 1000l vessels palletised

HORIZONTAL POTABLE WATER EXPANSION VESSELS 25 - 100 LITRES

Ref. no	Cap (L)	Dia (Ø D mm)	Ht (H mm)	Connection (inches)	Wt (kg)	Max pressure	M
PVH25W	25	280	520	G ¾	5.5	10 bar	36
PVH50W	50	409	503	G 1	15	10 bar	20
PVH80W	80	480	595	G 1	18	10 bar	10
PVH100W	100	480	705	G 1	21	10 bar	8



SPECIFICATION

- Max working pressure: 10 bar
- Max vessel operating temperature: 70°C
- Factory pre-charge: 2.0 bar - nitrogen
- System water connection thread: BS EN ISO 228 - male
- Membrane: Fixed Butyl

VESSELS - POTABLE VESSELS

VF8D



CE marked

VFD POTABLE VESSELS WITH INTEGRATED BRACKET

Ref. no	Cap (L)	Dia (Ø D mm)	Ht (H mm)	Connection (inches)	Wt (kg)	Max pressure	
VF8D	8	280	300	G ½"	3.8	10 bar	20
VF12D	12	354	375	G ½"	5.2	10 bar	15
VF18D	18	354	375	G ¾"	5.6	10 bar	10
VF25D	25	409	430	G ¾"	8.2	10 bar	10
VF35D	35	480	500	G ¾"	13	10 bar	5
VF50D	50	480	500	G ¾"	15.4	10 bar	1
VF80D	80	634	654	G ¾"	22.4	10 bar	1

SPECIFICATION

- Max working temperature: 70°C
- Membrane: Fixed Butyl
- Threaded stainless steel connection
- Integrated bracket

PV18F



CE marked

POTABLE WATER EXPANSION VESSELS C/W INTEGRATED BRACKETS

Ref no	Cap (L)	Dia (Ø D mm)	Ht (Ø H mm)	Connections	Bracket	Max pressure	
PV12D	12	280	309+/-5	22mm Compression	N	10 bar	56
PV18D	18	280	407+/-5	22mm Compression	N	10 bar	56
PV25D	25	280	518+/-5	22mm Compression	N	10 bar	42
PV12F	12	280	309+/-5	G ¾"	Y	10 bar	60
PV18F	18	280	407+/-5	G ¾"	Y	10 bar	56
PV25F	25	280	518+/-5	G ¾"	Y	10 bar	42
PV12G	12	280	309+/-5	G ¾"	N	10 bar	60
PV18G	18	280	407+/-5	G ¾"	N	10 bar	56
PV25G	25	280	518+/-5	G ¾"	N	10 bar	42

SPECIFICATION

- Max working pressure: 10 bar
- Max vessel operating temperature: 70°C
- Membrane: Fixed Butyl
- Integrated bracket



RS-MB2



ACCESSORIES FOR EXPANSION VESSELS

Ref no	Description		
RS-MB2	Potable vessel mounting bracket 8 litre - 18 litre (with strap)	80	2880
RS-MB24	Potable vessel mounting bracket 25 litre (with 2 straps) only	20	480
PVADG	Digital hand-held pressure gauge	20	-

PVADG



VESSELS - FLOW THROUGH VESSELS

FLOW THROUGH SERIES POTABLE VESSELS

Reflex Flow Through vessels from Altecnic prevent build-up of potentially harmful bacteria in potable water expansion vessels by reducing stagnation within the vessel. The innovative design encourages flushing through the expansion vessel, greatly reducing the opportunity for potentially harmful cysts to form.

* Using the optional Flowjet valve is recommended.

Materials

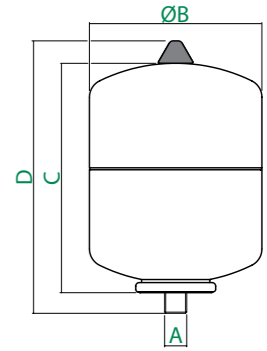
Component	Material
Shell	Carbon steel
Connections	Stainless steel
Diaphragm	Synthetic rubber compound
Coating	Powder epoxy

Technical Specification

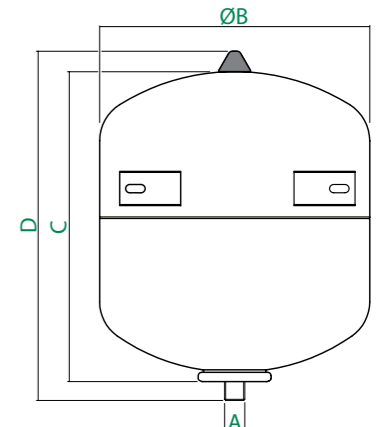
Max. working pressure	10 bar
Max. vessel operating temperature	70°C
Factory pre-charge - Vertical range	4.0 bar - nitrogen
System water connection thread	BS EN ISO 228 - male



* Flow Through vessel with Flowjet valve



8 - 25 litres



33 litres

PVA8G



FLOW THROUGH POTABLE WATER EXPANSION VESSELS 8 - 600 LITRES - MEMBRANE: FIXED BUTYL

Ref. no	Cap (L)	Dia (Ø D mm)	Ht (H mm)	Connection (inches)	Wt (kg)	Max pressure		
PVA8G*	8	206	345	G ¾"	2.7	10 bar	1	96
PVA12G*	12	280	325	G ¾"	3.7	10 bar	1	60
PVA18G*	18	280	420	G ¾"	4.7	10 bar	1	56
PVA25G*	25	280	530	G ¾"	5.7	10 bar	1	42
PVA33G*	33	354	465	G ¾"	6.5	10 bar	1	12
PVA60G	60	409	755	1¼"	15.0	10 bar	1	1
PVA80G	80	480	750	1¼"	16.5	10 bar	1	8
PVA100G	100	480	856	1¼"	18.6	10 bar	1	8
PVA200G	200	634	975	1¼"	37.0	10 bar	1	1
PVA300G	300	634	1275	1¼"	43.5	10 bar	1	1
PVA400G	400	740	1245	1¼"	73.0	10 bar	1	1
PVA500G	500	740	1475	1¼"	69.0	10 bar	1	1
PVA600G	600	740	1860	DN50/PN16	164.0	10 bar	1	1

SPECIFICATION

- Anti-Legionella vessel when used with FlowJet attachment
- 300l to 600l vessels palletised

PVACC1



FLOWJET VALVE FOR POTABLE WATER SYSTEMS

Ref no	Connections	Max pressure		
PVACC1*	G ¾"	10 bar	40	1920
PVACC2	G 1¼"	10 bar	40	980

VESSELS - STAINLESS STEEL

SSV20C



CE marked

STAINLESS STEEL EXPANSION VESSEL



Ref. no	Cap (L)	Dia (Ø D mm)	Ht (H mm)	Connection (inches)	Max pressure	Box	MM
SSV2A	1.5	114	200	G¾" B	14 bar	4	162
SSV5C	5	250	240	G1B	14 bar	1	24
SSV8C	8	250	264	G1B	14 bar	1	24
SSV12C	12	250	370	G1B	14 bar	1	16
SSV20C	20	250	490	G1B	13 bar	1	8
SSV35C	35	350	480	G1B	14 bar	1	6
SSV50C	50	350	770	G1B	11 bar	1	6
SSV100C	100	450	910	G1B	9 bar	1	1
SSV150C	150	500	994	G1B	8 bar	1	1
SSV200C	200	550	1203	G1½" B	8 bar	1	1
SSV300C	300	650	1202	G1½" B	8 bar	1	1
SSV500C	500	750	1449	G1½" B	6 bar	1	1

SPECIFICATION

- Max operating pressure: 10 bar
- Max operating temperature: 100°C
- Membrane: replaceable
- System water connection thread: BS EN 228

VESSELS - MINI VESSELS

MINI EXPANSION VESSELS 0.5-2 LITRE



Ref no	Cap (L)	Connection (inches)	Max pressure	Max Temp	Box	MM
PV05C	0.5	G½"	10 bar	70°C	24	400
PV1C	1	G½"	10 bar	70°C	10	400
PV2W	2	G¾"	10 bar	70°C	4	200
PV2Z	2	G½"	10 bar	70°C	4	200

SPECIFICATION

- Steel body and inlet connection noryl polymer
- Membrane: Butyl
- Max system temperature: 70°C



NITROGEN FILLED VESSELS

CE marked

PV2W

SHOCK ARRESTOR/MINI EXPANSION VESSEL



Ref no	Size	Connections	Max pressure	Description	Box	MM
525040	½"	M BSP	10 bar	Mechanical	25	1200
PV016D	0.16 L	R ¼"	15 bar	Mini-expansion	10	1200
PV016C	0.16 L	R ½"	15 bar	Mini-expansion	10	1400
PV016RS*	0.16 L	15mm Compression	15 bar	Mini-expansion	10	1400

MECHANICAL SPECIFICATION

- Max working pressure: 10 Bar
- Max working temp: 90°C
- PTFE seal on thread

MINI EXPANSION SPECIFICATION

- Max working pressure: 15 bar
- Max working temp: 100°C



525040



PV016RS



* RoboShock®

SHOCK ARRESTOR WITH TEE AND GAUGE



Ref no	Size	Connections	Max pressure	Description	Box
PVRSK	0.16 L	15mm Compression	6 bar	Roboshock	250

SPECIFICATION

- Max working pressure: 15 bar
- Max working temp: 100°C

NEW



PVRSK

WATER HEATER PACKS

CA-100148



NITROGEN FILLED VESSELS

WATER HEATER ACCESSORY PACKS



Ref no	Pack	Description	Box	Unit
CA-100148	Water heater accessory pack 1	1 x 1/2" PRV at 3.5 bar. 1 x expansion vessel 2 litre. 1 x 1/2" SRV at 6 bar 312460. 1 x 15mm single check valve	1	400
CA-100149	Water heater accessory pack 2	1 x expansion vessel 2 litre. 1 x 1/2" safety valve. 1 x 15mm single check valve	1	400
CA-100150	Water heater accessory pack 4	1 x 1/2" PRV at 3.5 bar. 1 x expansion vessel 2 litre. 1 x 15mm single check valve	1	400
CA-100151	Water heater accessory pack 5	1 x expansion vessel 2 litre. 1 x 15mm single check valve	1	100

SPECIFICATION

- Suitable for installation with all single/multi-point water heaters.
- 5 year warranty on expansion vessel.



CE marked

105-1200



WATER HEATER ISOLATION VALVES



Ref no	Size	Connections	Box	Unit
105-1200	15mm x 1/2"	Compression x F BSP - Straight	1	100
105-0002	15mm x 1/2"	Compression x F BSP - Angled	1	100
105-0001	15mm x 15mm	Compression x F BSP - Angled	1	100

DOSING POTS

DOSING POTS



Ref no	Capacity (Litres)	Description	Unit
141-1001	3.5	1x fabricated vessel with welded construction, 1x tundish, 2x integral wall brackets 4 x 1" BSP isolating valves, 2 x 1" tee pieces 4 x 1" BSP pipe nipples	30
141-1002	6	1x fabricated vessel with welded construction, 1x tundish, 2x integral wall brackets 4 x 1" BSP isolating valves, 2 x 1" tee pieces 4 x 1" BSP pipe nipples	30
141-1003	11	1x fabricated vessel with welded construction, 1x tundish, 2x integral wall brackets 4 x 1" BSP isolating valves, 2 x 1" tee pieces 4 x 1" BSP pipe nipples	30
141-1004	18	1x fabricated vessel with welded construction, 1x tundish, 2x integral wall brackets 4 x 1" BSP isolating valves, 2 x 1" tee pieces 4 x 1" BSP pipe nipples	15
141-1005	25	1x fabricated vessel with welded construction, 1x tundish, 2x integral wall brackets 4 x 1" BSP isolating valves, 2 x 1" tee pieces 4 x 1" BSP pipe nipples	15
141-1006	35	1x fabricated vessel with welded construction, 1x tundish, 2x integral wall brackets 4 x 1" BSP isolating valves, 2 x 1" tee pieces 4 x 1" BSP pipe nipples	15
141-1007	40	1x fabricated vessel with welded construction, 1x tundish, 2x integral wall brackets 4 x 1" BSP isolating valves, 2 x 1" tee pieces 4 x 1" BSP pipe nipples	15
141-1008	50	1x fabricated vessel with welded construction, 1x tundish, 2x integral wall brackets 4 x 1" BSP isolating valves, 2 x 1" tee pieces 4 x 1" BSP pipe nipples	15



141-1007

SPECIFICATION

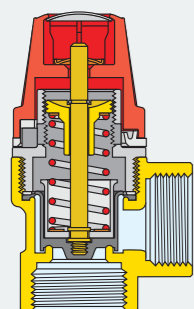
- All pipe connections 1" BSP
- 3/8" BSP air vent connection
- Max working pressure: 10 bar
- Max operating temperature: 90°C
- Complies with the Pressure Equipment Directive (PED) 2014/68/EU

Safety Relief Valves

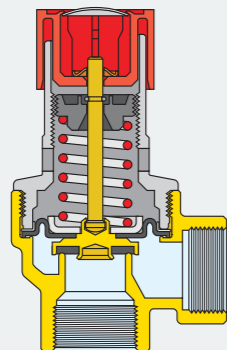
Safety relief valves are typically used for controlling pressure on boilers in heating systems, on stored hot water cylinders in domestic hot water systems, and in water systems generally. When the calibrated pressure is reached, the valve opens and, by means of the discharge to atmosphere, prevents the pressure of the system from reaching levels which would be dangerous for the boiler and the components in the system itself.

RANGE OVERVIEW

- Size ranges from ½" to 1¼"
- Pressure up to 10 bar
- With and without gauge
- WRAS approved products available
- Domestic and commercial applications



Safety Relief Valves
Series 311



Safety Relief Valves
Series 513



CE marked

Safety Relief
Valves

SAFETY RELIEF VALVES - SERIES 311 & 312

311430



CE marked

SAFETY RELIEF VALVES SERIES 311



Ref no	Size	Connections	Pressure	Gauge	Box	Tray
311415	1/2" x 1/2"	F x F BSP	1.5 bar	No	50	
311425	1/2" x 1/2"	F x F BSP	2.5 bar	No	50	
311430	1/2" x 1/2"	F x F BSP	3 bar	No	50	
311435	1/2" x 1/2"	F x F BSP	3.5 bar	No	50	
311450	1/2" x 1/2"	F x F BSP	5 bar	No	50	
311460	1/2" x 1/2"	F x F BSP	6 bar	No	50	
311470	1/2" x 1/2"	F x F BSP	7 bar	No	50	
311480	1/2" x 1/2"	F x F BSP	8 bar	No	50	
311525	3/4" x 3/4"	F x F BSP	2.5 bar	No	50	
311530	3/4" x 3/4"	F x F BSP	3 bar	No	50	
311560	3/4" x 3/4"	F x F BSP	6 bar	No	50	
311570	3/4" x 3/4"	F x F BSP	7 bar	No	50	
311580	3/4" x 3/4"	F x F BSP	8 bar	No	50	

SPECIFICATION

- Medium: Water and air
- Temperature range: 5°C - 110°C
- Set pressure range: 1.5 - 8 bar
- Max working pressure (static): 10 bar
- PED category: IV

SAFETY RELIEF VALVES - SERIES 313 & 314

313430



CE marked

SAFETY RELIEF VALVES SERIES 313



Ref no	Size	Connections	Pressure	Gauge	Box	Tray
313425	1/2" x 1/2"	F x F BSP	2.5 bar	Yes	50	1800
313430	1/2" x 1/2"	F x F BSP	3 bar	Yes	50	1800
313460	1/2" x 1/2"	F x F BSP	6 bar	Yes	50	1800
313470	1/2" x 1/2"	F x F BSP	7 bar	Yes	50	1800
313480	1/2" x 1/2"	F x F BSP	8 bar	Yes	50	1800
313525	3/4" x 3/4"	F x F BSP	2.5 bar	Yes	50	1800
313530	3/4" x 3/4"	F x F BSP	3 bar	Yes	50	1800
313560	3/4" x 3/4"	F x F BSP	6 bar	Yes	50	1800
313570	3/4" x 3/4"	F x F BSP	7 bar	Yes	50	1800
313580	3/4" x 3/4"	F x F BSP	8 bar	Yes	50	1800

SPECIFICATION

- Medium: Water and air
- Temperature range: 5°C - 110°C
- Set pressure range: 2.5 - 8 bar
- Max working pressure (static): 10 bar
- PED category: IV

312430



CE marked

SAFETY RELIEF VALVES SERIES 312



Ref no	Size	Connections	Pressure	Gauge	Box	Tray
312405 CST	1/2" x 1/2"	M x F BSP	4 bar	No	50	1600
312020 CST	1/2" x 1/2"	F x F BSP	10 bar	No	44	2904
312425	1/2" x 1/2"	M x F BSP	2.5 bar	No	50	2000
312430	1/2" x 1/2"	M x F BSP	3 bar	No	50	2000
312460	1/2" x 1/2"	M x F BSP	6 bar	No	50	2000
312470	1/2" x 1/2"	M x F BSP	7 bar	No	50	2000
312480	1/2" x 1/2"	M x F BSP	8 bar	No	50	2000
A312401 CST	1/2" x 1/2"	Pushfit x F BSP	3 bar	No	65	2000
A312438 CST	1/2" x 1/2"	Pushfit x M BSP	3 bar	No	65	3696

SPECIFICATION

- Medium: Water and air
- Temperature range: 5°C - 110°C
- Set pressure range: 2.5 - 10 bar
- Max working pressure (static): 10 bar
- PED category: IV

SAFETY RELIEF VALVES SERIES 314



A314437 CST



CE marked

Ref no	Size	Connections	Pressure	Gauge	Box	Tray
314425	1/2" x 1/2"	M x F BSP	2.5 bar	Yes	50	1800
314430	1/2" x 1/2"	M x F BSP	3 bar	Yes	50	1800
314460	1/2" x 1/2"	M x F BSP	6 bar	Yes	50	1800
314480	1/2" x 1/2"	M x F BSP	8 bar	Yes	50	1800
A314437 CST	1/2" x 1/2"	M x F BSP	3 bar	Port only	56	3696

SPECIFICATION

- Medium: Water and air
- Temperature range: 5°C - 110°C
- Set pressure range: 2.5 - 8 bar
- Max working pressure (static): 10 bar
- PED category: IV

SAFETY RELIEF VALVES - SERIES 513

513425



SAFETY RELIEF VALVES SERIES 513



Ref no	Size	Connections	Pressure	50	1800
513420	1/2" x 1/2"	F x F BSP	2.0 bar	50	1800
513425	1/2" x 1/2"	F x F BSP	2.5 bar	50	1800
513430	1/2" x 1/2"	F x F BSP	3 bar	50	1800
513460	1/2" x 1/2"	F x F BSP	6 bar	50	1800
513470	1/2" x 1/2"	F x F BSP	7 bar	50	1800
513480	1/2" x 1/2"	F x F BSP	8 bar	50	1800
513620	1" x 1 1/4"	F x F BSP	2.0 bar	25	1800
513625	1" x 1 1/4"	F x F BSP	2.5 bar	25	1800
513630	1" x 1 1/4"	F x F BSP	3 bar	25	1800
513635	1" x 1 1/4"	F x F BSP	3.5 bar	25	1800
513660	1" x 1 1/4"	F x F BSP	6 bar	25	1800
513670	1" x 1 1/4"	F x F BSP	7 bar	25	1800
513680	1" x 1 1/4"	F x F BSP	8 bar	25	1800
513725	1 1/4" x 1 1/2"	F x F BSP	2.5 bar	10	1800
513730	1 1/4" x 1 1/2"	F x F BSP	3 bar	8	1800
513760	1 1/4" x 1 1/2"	F x F BSP	6 bar	10	1800
513770	1 1/4" x 1 1/2"	F x F BSP	7 bar	10	1800
513780	1 1/4" x 1 1/2"	F x F BSP	8 bar	10	1800

SPECIFICATION

- Medium: Water and air
- Temperature range: 5°C - 110°C
- Set pressure range: 2 - 8 bar
- Max working pressure (static): 10 bar
- PED category: IV

SAFETY RELIEF VALVES - SERIES 514 & 531

SAFETY RELIEF VALVES SERIES 514



Ref no	Size	Connections	Pressure	50	1800
514425	1/2" x 1/2"	M x F BSP	2.5 bar	50	1800
514460	1/2" x 1/2"	M x F BSP	6 bar	50	1800
514420	1/2" x 1/2"	M x F BSP	2 bar	50	1800
514430 CST	1/2" x 1/2"	M x F BSP	3 bar	50	1800

SPECIFICATION

- Medium: Water and air
- Temperature range: 5°C - 110°C
- Set pressure range: 2 - 6 bar
- Max working pressure (static): 10 bar
- PED category: IV



514425

SAFETY RELIEF VALVES SERIES 531



Ref no	Size	Connections	Pressure	50
531460	1/2" x 3/4"	F x F BSP	6 bar*	50
531560	3/4" x 1"	F x F BSP	6 bar*	50
531660	1" x 1 1/4"	F x F BSP	6 bar*	50
531760	1 1/4" x 1 1/2"	F x F BSP	6 bar*	50

*other setting available

For potable water systems

SPECIFICATION

- Medium: Water and air
- Temperature range: 5°C - 110°C
- Max working pressure (static): 6 bar
- PED category: IV



531560

NEW

Dirt and Air Separation

Altecnic offers an industry leading range of efficient magnetic, non-magnetic and dirt and air separators. Dirt and air particles cause damage to heating and chilled water systems. By fitting a dirt and air separator you will improve the efficiency of the system and increase the life-span of the boiler and other equipment.

RANGE OVERVIEW

- Available in a range of sizes
- Dirt and air separation
- Magnetic and non-magnetic options available
- Horizontal and vertical orientation
- Domestic and commercial applications

Model Series	Size	Domestic use		Commercial use		Filtration Type			Orientation
				Air	Dirt	Magnetic			
Dirtmag Mini™	22mm	✓	✓	✓	✓	✓			Vertical /Horizontal
Dirtmag iQ™ Prime	22mm, 28mm, ¾" to 1¼"	✓	✓	✓	✓	✓			Vertical /Horizontal
Dirtmag iQ™	22mm, 28mm	✓	✓	✓	✓	✓			Vertical /Horizontal
Dirtmag	22mm, 28mm, 1" to 2"	✓	✓	✓	✓	✓			Vertical /Horizontal
Dirtmag XL	DN50 to DN300		✓		✓	✓			Horizontal
Discal	22mm, ¾" to 1", DN50 to DN150		✓	✓	Auto Air Venting	✓			Horizontal
Dirtcal	22mm, ¾" to 2", DN50 to DN150	✓	✓	✓	✓	✓			Horizontal
Hydraulic Separator	1¼" to 2", DN50 to DN300	✓	✓	✓					Vertical /Horizontal
Magnetic Hydraulic Separator	1" to 2"		✓	✓		✓			Vertical /Horizontal
Automatic Air Vent	15mm, ¼" to 1"	✓	✓	✓					n/a
Discal - Auto Air	22mm, 28mm, ¾" to 2", DN50 - DN150	✓	✓	✓	Auto Air Venting				Vertical /Horizontal



Dirt and Air Separation

DIRTMAG MINI™



DIRTMAG MINI™

Ref no	Size	Insulation	Connections	Body		
114-1020	22mm	No	Compression ends	Polyamide 66	5	280

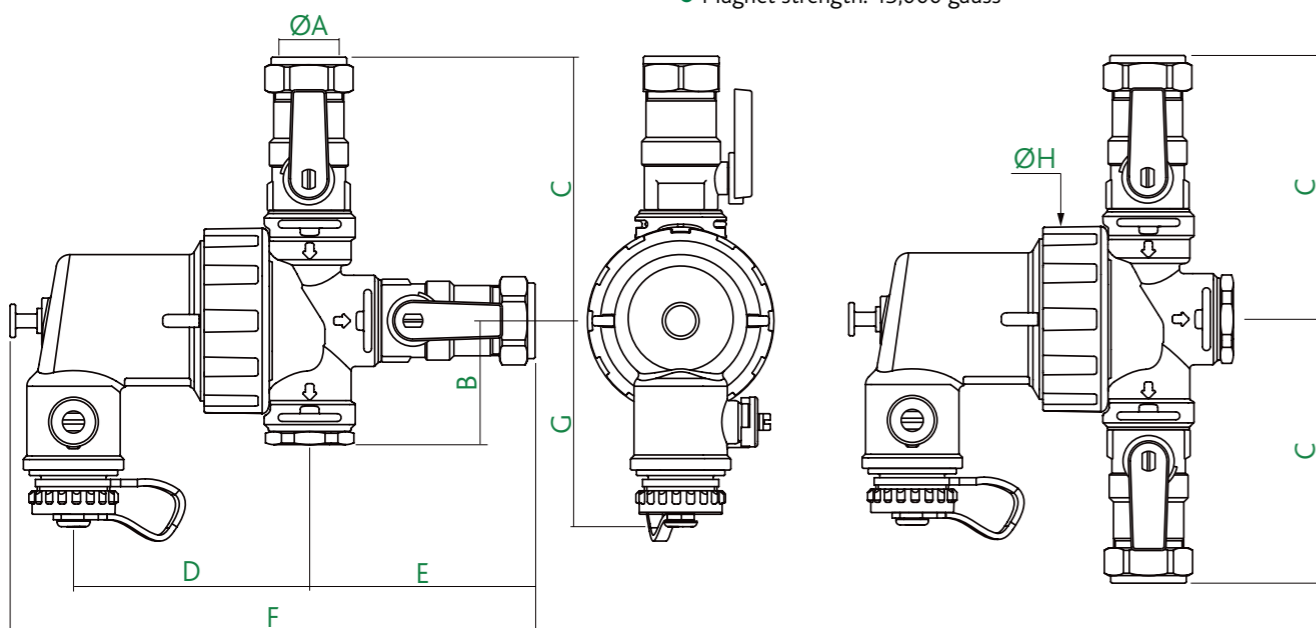
The DIRTmag Mini™ magnetic dirt separator and strainer filters, separates and captures impurities in the system thanks to the combined action of the strainer and dirt separator. Ferrous impurities are also captured inside the body, thanks to the action of a removable, internal magnet.

Opening the dedicated drain point drains the captured impurities. The fluid from the system is slowed down, so that the smaller particles that are not stopped by the filter separate and deposit, and are thereby removed from circulation. The special profile of the bottom allows the impurities to be captured and drained effectively.

The compression connections on the The DIRTmag Mini™ body are interchangeable and reversible as they have a quick-fit system with fixing clip, making it easy to install the dirt separator by turning it to the horizontal or vertical position. Thanks to the compactness of the body, the filter can be easily installed in narrow spaces under wall-mounted boilers without the need for additional accessories.

SPECIFICATION

- Medium: water glycol solution
- Max percentage of glycol: 30%
- Max working pressure: 3 bar
- Temperature range: 0 - 90°C
- Strainer mesh size: 800µm
- Magnet strength: 13,000 gauss



Ref no	A	B	C	D	E	F	G	H	kg
114-1020	Ø22	45	95.5	85.5	82.5	190.5	74.5	67.5	0.7

DIRTMAG MINI™ COMPLIANCE PACK

Ref no	Size	Connections	Body	
114-1050	22mm	Compression ends	Polyamide 66	98

SPECIFICATION

- Pack contains DIRTmag Mini™ magnetic filter, C3 and C1 Fast Cleaner and Inhibitor



DIRTMAG MINI™ & DISCALSLIM COMBI PACK

Ref no	Size	Connections	Body	
114-1100	22mm	Compression ends	Polyamide 66	98

SPECIFICATION

- Pack contains DIRTmag Mini™ magnetic filter and Discalslim® deaerator



Want to know more?

Scan the QR code with your camera phone to view the

DIRTMAG MINI™ Demonstration Video



SCAN ME

DIRTMAG iQ™

THE SMART MAGNETIC SEPARATOR **PRIME**



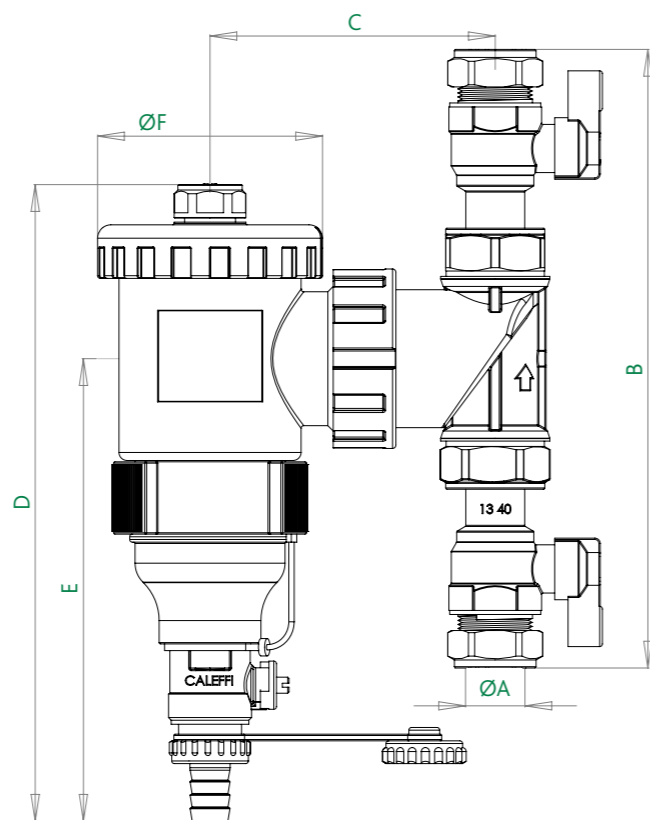
DIRTMAG iQ™ PRIME

Ref no	Size	Insulation	Connections	Body	Box	Unit
545342 LTC	22mm	No	Vertical/Horizontal	Polyamide 66	5	105
545343 LTC	28mm	No	Vertical/Horizontal	Polyamide 66	5	105
545345	¾"	No	Vertical/Horizontal	Polyamide 66	5	105
545346	1"	No	Vertical/Horizontal	Polyamide 66	5	105
545347	1 ¼"	No	Vertical/Horizontal	Polyamide 66	5	105

Dirtmag iQ™ Prime - offers triple separation of magnetic, non-magnetic debris and system air releases, whilst the powerful external magnetic belt, full bore isolation valves and drain off valve enables ease of installation and fast and effective system servicing. Suitable for horizontal or vertical applications each filter is supplied with a unique metal spanner ensuring correct and incident free installation.

SPECIFICATION

- Medium: water glycol solution
- Max percentage of glycol: 30%
- Max working pressure: 3 bar
- Temperature range: 0 - 90°C
- Particle separation rating down to 5µm



Ref no	A	B	C	D	E	F
545342 LTC	Ø22	224	106.5	238	172.5	84
545343 LTC	Ø28	232	106.5	238	172.5	84

DIRTMAG iQ™ PRIME COMPLIANCE PACK A

Ref no	Size	Connections	Body	Box	Unit
114-1001	22mm	Compression	Polyamide 66	5	80
114-1011	28mm	Compression	Polyamide 66	5	50

SPECIFICATION

- Pack A - Dirmag iQ™ Prime magnetic filter, iQ3 500ml Benchmark approved system cleaner, iQ1 500ml Benchmark and Buildcert approved system inhibitor for treating systems up to 100 litre (approx. 10 radiators).
- Dirmag iQ™ Prime full bore isolation valves, full bore bottom entry discharge valve and dosing facility via a ½" air vent enables unrivalled ease of system commissioning.



DIRTMAG iQ™ PRIME COMPLIANCE PACK B

Ref no	Size	Connections	Body	Box	Unit
114-1002	22mm	Compression	Polyamide 66	5	50
114-1012	28mm	Compression	Polyamide 66	5	50

SPECIFICATION

- Pack B - Content as Pack A including Dirmag iQ™ Prime, Cleaner and Inhibitor plus:
- Fully WRAS approved and Part L Building Regulations compliant filling loop with metal handles and two blanking caps.



DIRTMAG iQ™ PRIME COMPLIANCE PACK C

Ref no	Size	Connections	Body	Box	Unit
114-1003	22mm	Compression	Polyamide 66	5	50
114-1013	28mm	Compression	Polyamide 66	5	50

SPECIFICATION

- Pack C - Content as Pack A including Dirmag iQ™ Prime, Cleaner and Inhibitor plus:
- Fully WRAS approved 15mm electrolytic scale reducer for Part L compliance where water hardness exceeds 200ppm.



DIRTMAG iQ™ PRIME COMPLIANCE PACK D

Ref no	Size	Connections	Body	Box	Unit
114-1004	22mm	Compression	Polyamide 66	5	50
114-1014	28mm	Compression	Polyamide 66	5	50

SPECIFICATION

- Pack D - Content as Pack A including Dirmag iQ™ Prime, Cleaner and Inhibitor plus:
- Fully WRAS approved system filling loop with metal handles and two blanking caps
- 15mm WRAS approved electrolytic scale reducer ensures ultimate protection and compliance to Part L where water hardness exceeds 200ppm.



DIRTMAG iQ™

DIRTMAG iQ™

THE SMART MAGNETIC SEPARATOR

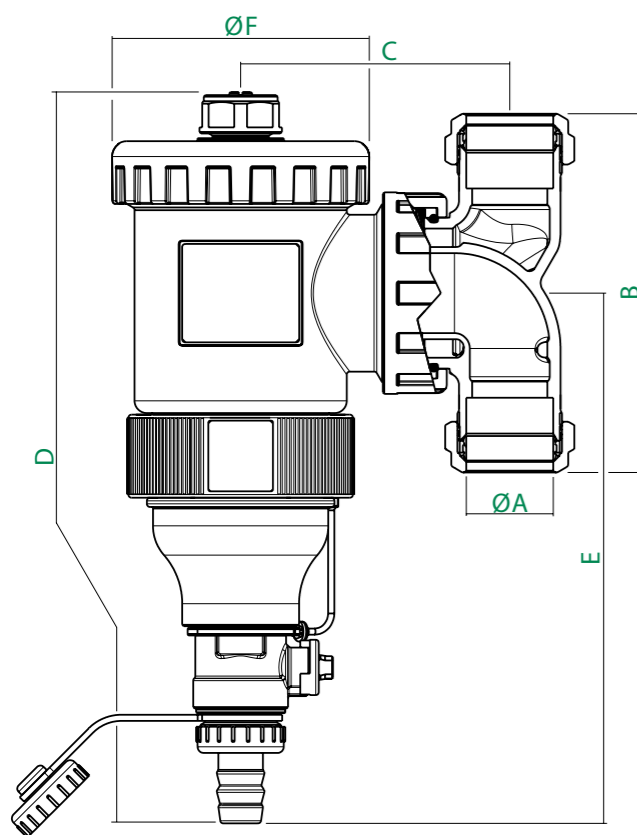
DIRTMAG iQ™



Ref no	Size	Insulation	Connections	Body	Box	Weight
545302	22mm	No	Vertical/Horizontal	Polyamide 66	5	105
545303	28mm	No	Vertical/Horizontal	Polyamide 66	5	105

SPECIFICATION

- Medium: water glycol solution
- Max percentage of glycol: 30%
- Max working pressure: 3 bar
- Temperature range: 0 - 90°C
- Particle separation rating down to 5µm



DIMENSIONS

Ref no	A	B	C	D	E	F	kg
545302	22	115	87.5	238	173	84	2.15
545303	28	117	87.5	238	173	84	2.15

DIRTMAG

DIRTMAG® (VERTICAL)



Ref no	Size	Insulation	Connections	Body	Box	Weight
546802	22mm	No	Compression	Brass	5	105
546803	28mm	No	Compression	Brass	5	105

SPECIFICATION

- Medium: water glycol solution
- Max percentage of glycol: 50%
- Max working pressure: 10 bar
- Temperature range: 0 - 110°C
- Particle separation rating down to 5µm



546802

DIRTMAG® (HORIZONTAL)



Ref no	Size	Insulation	Connections	Body	Box	Weight
546306	1"	No	F x F BSP	Brass	6	108
546307	1¼"	No	F x F BSP	Brass	5	90
546308	1½"	No	F x F BSP	Brass	5	90
546309	2"	No	F x F BSP	Brass	5	90

SPECIFICATION

- Medium: water glycol solution
- Max percentage of glycol: 50%
- Max working pressure: 10 bar
- Temperature range: 0 - 110°C
- Particle separation rating down to 5µm



546307

DIRTMAG CLEAN®



Ref no	Description	Box
579000	Self-cleaning dirt separator, adjustable height	1
579001	Self-cleaning dirt separator, adjustable height	1

The 5790 Series DIRTMAG CLEAN® is a self-cleaning dirt separator filter with magnet. The device is used in heating systems controllers to remove dirt and impurities from the circuit progressively and completely.

SPECIFICATION

- Body material: stainless steel AISI 304
- Max working pressure: 10 bar
- Working temperature range: 5 - 85°C
- Recommended flow rate Kv: 5 - 20 m³/h
- Particle separation rating down to 5µm



579000

546650



DIRTMAG XL

Ref no	Size	Insulation	Connections	Body		
546650	DN50	Yes	Flanged PN16	Epoxy resin coated steel	1	3
546660	DN65	Yes	Flanged PN16	Epoxy resin coated steel	1	3
546680	DN80	Yes	Flanged PN16	Epoxy resin coated steel	1	3
546610	DN100	Yes	Flanged PN16	Epoxy resin coated steel	1	3
546612	DN125	Yes	Flanged PN16	Epoxy resin coated steel	1	-
546615	DN150	Yes	Flanged PN16	Epoxy resin coated steel	1	2
546620	DN200	No	Flanged PN16	Epoxy resin coated steel	1	1
546625	DN250	No	Flanged PN16	Epoxy resin coated steel	1	1
546630	DN300	No	Flanged PN16	Epoxy resin coated steel	1	1

SPECIFICATION

- Dirt separator with magnet to be coupled with flat counterflanges EN 1092-1
- Max percentage of glycol: 50%
- Max working pressure: 10 bar
- Temperature range: 0 to 100°C
- Temperature probe connection: ½" F (DN200-DN300)
- Particle separation rating down to 5µm

546620



546002



DISCAL DIRT AND AIR SEPARATORS

Ref no	Size	Insulation	Connections	Body		
546002	22mm	No	Compression	Brass	1	1
546005	¾"	No	F x F BSP	Brass	1	1
546006	1"	No	F x F BSP	Brass	1	1

SPECIFICATION

- Medium: water glycol solution
- Max percentage of glycol: 50%
- Max working pressure: 10 bar
- Temperature range: 0 - 110°C
- Particle separation rating down to 5µm

DISCAL DIRT AND AIR SEPARATORS

Ref no	Size	Insulation	Connections	Body		
546050	DN50	No	Flanged PN16	Epoxy resin coated steel	1	3
546060	DN65	No	Flanged PN16	Epoxy resin coated steel	1	3
546080	DN80	No	Flanged PN16	Epoxy resin coated steel	1	3
546100	DN100	No	Flanged PN16	Epoxy resin coated steel	1	3
546120	DN125	No	Flanged PN16	Epoxy resin coated steel	1	3
546150	DN150	No	Flanged PN16	Epoxy resin coated steel	1	2
546051	DN50	No	Welded socket PN16	Epoxy resin coated steel	1	3
546061	DN65	No	Welded socket PN16	Epoxy resin coated steel	1	3
546081	DN80	No	Welded socket PN16	Epoxy resin coated steel	1	3
546101	DN100	No	Welded socket PN16	Epoxy resin coated steel	1	3
546121	DN120	No	Welded socket PN16	Epoxy resin coated steel	1	3
546151	DN150	No	Welded socket PN16	Epoxy resin coated steel	1	2

SPECIFICATION

- Medium: water glycol solution
- Max percentage of glycol: 50%
- Max working pressure: 10 bar
- Temperature range: 0 - 110°C
- Particle separation rating down to 5µm

546061



546118



DISCAL DIRTMAG DE-AERATOR - DIRT SEPARATORS

Ref no	Size	Insulation	Connections	Body		
546118	G 1½"	Yes	F x F BSP	Epoxy resin coated steel	10	100
546119	G 2"	Yes	F x F BSP	Epoxy resin coated steel	10	100

SPECIFICATION

- Medium: water glycol solution
- Max percentage of glycol: 50%
- Max working pressure: 10 bar
- Temperature range: 0 - 100°C
- Particle separation rating down to 5µm

546062



DISCALDIRT AND AIR SEPARATORS (WITH INSULATION)



Ref no	Size	Insulation	Connections	Body	Box
546052	DN50	Yes	Flanged PN16	Epoxy resin coated steel	1
546062	DN65	Yes	Flanged PN16	Epoxy resin coated steel	1
546082	DN80	Yes	Flanged PN16	Epoxy resin coated steel	1
546102	DN100	Yes	Flanged PN16	Epoxy resin coated steel	1
546122	DN125	Yes	Flanged PN16	Epoxy resin coated steel	1
546152	DN150	Yes	Flanged PN16	Epoxy resin coated steel	1
546053	DN50	Yes	Welded socket PN10	Epoxy resin coated steel	1
546063	DN65	Yes	Welded socket PN10	Epoxy resin coated steel	1
546083	DN80	Yes	Welded socket PN10	Epoxy resin coated steel	1
546103	DN100	Yes	Welded socket PN10	Epoxy resin coated steel	1
546123	DN125	Yes	Welded socket PN10	Epoxy resin coated steel	1
546153	DN150	Yes	Welded socket PN10	Epoxy resin coated steel	1

The DISCALDIRT range of dirt and air separators are designed for use on heating and air conditioning systems to provide an efficient method of dirt and air removal.

SPECIFICATION

- Range of dirt and air separators for use in commercial applications
- Max discharge pressure: 10 bar
- Max working pressure: 10 bar
- Temperature range: 0 - 110°C
- Max percentage of glycol: 50%

546205



DIRTCAL BRASS DIRT SEPARATORS



Ref no	Size	Insulation	Connections	Body	Box
546205	¾"	No	F x F BSP	Brass	5
546206	1"	No	F x F BSP	Brass	5
546207	1¼"	No	F x F BSP	Brass	5
546208	1½"	No	F x F BSP	Brass	2
546209	2"	No	F x F BSP	Brass	2
546905	¾"	No	F x F BSP	Brass	5
546906	1"	No	F x F BSP	Brass	5
546902	22mm	No	Compression	Brass	10
546550	DN50	Yes	Flanged PN16	Epoxy resin coated steel	1
546560	DN65	Yes	Flanged PN16	Epoxy resin coated steel	1
546580	DN80	Yes	Flanged PN16	Epoxy resin coated steel	1
546510	DN100	Yes	Flanged PN16	Epoxy resin coated steel	1
546512	DN125	Yes	Flanged PN16	Epoxy resin coated steel	1
546515	DN150	Yes	Flanged PN16	Epoxy resin coated steel	1

SPECIFICATION

- The Dirtcal range of dirt separators are designed for use on heating and air conditioning systems to provide an efficient method of dirt removal
- Temperature Range: 0 - 110°C (THREADED), 0 - 105°C (DN50 - DN100), 0 - 100°C (DN125 - DN150)
- Max working pressure: 10 bar
- Max percentage of glycol: 50%

546550



HYDRAULIC SEPARATOR



Ref no	Size	Insulation	Connections	Body	Box
548006	1"	Yes	F x F BSP	Epoxy resin coated steel	1
548007	1¼"	Yes	F x F BSP	Epoxy resin coated steel	1
548008	1½"	Yes	F x F BSP	Epoxy resin coated steel	1
548009	2"	Yes	F x F BSP	Epoxy resin coated steel	1
548052	DN50	Yes	Flanged PN16	Epoxy resin coated steel	1
548062	DN65	Yes	Flanged PN16	Epoxy resin coated steel	1
548082	DN80	Yes	Flanged PN16	Epoxy resin coated steel	1
548102	DN100	Yes	Flanged PN16	Epoxy resin coated steel	1
548122	DN125	Yes	Flanged PN16	Epoxy resin coated steel	1
548152	DN150	Yes	Flanged PN16	Epoxy resin coated steel	1
548200	DN200	No	Flanged PN10	Epoxy resin coated steel	1
548250	DN250	No	Flanged PN10	Epoxy resin coated steel	1
548300	DN300	No	Flanged PN10	Epoxy resin coated steel	1

SPECIFICATION - 548 SERIES SCREWED IRON

- Hydraulic separator. Connections 1" F (from 1" - 2") with union
- Epoxy resin coated steel body
- Medium water and non-hazardous glycol solutions excluded from the guidelines of EC directive 67/548
- Max percentage of glycol: 30%
- Max working pressure: 10 bar
- Temperature range: 0 - 100°C
- Temperature probe connection: ½" F

SPECIFICATION - 548 SERIES FLANGE

- Hydraulic separator. Flanged connections DN 50 (from DN 50 - DN 150) PN 16, DN 200 (from DN 200 - DN 300) PN 10, for coupling with counter flanges EN 1092-1. Epoxy resin coated steel body.
- Medium water and non-hazardous glycol solutions excluded from the guidelines of EC directive 67/548.
- Max percentage of glycol: 30%
- Max working pressure: 10 bar
- Temperature range: 0 - 110°C
- Temperature probe connection: ½" F

548009



548102



548200



549506



MAGNETIC HYDRAULIC SEPARATOR



Ref no	Size	Insulation	Connections	Body	
549506	1"	Yes	F x F BSP	Epoxy resin coated steel	1
549507	1¼"	Yes	F x F BSP	Epoxy resin coated steel	1
549508	1½"	Yes	F x F BSP	Epoxy resin coated steel	1
549509	2"	Yes	F x F BSP	Epoxy resin coated steel	1

SPECIFICATION

- Max working pressure: 10 bar
- Temperature range: 0 - 100°C
- Max percentage of glycol: 50%

559021



SEPCOLL HYDRAULIC SEPARATOR MANIFOLD



Ref no	Description	
559021	2 + 1 built in version with preformed insulation	1
559121	2 + 1 in manifold cabinet with preformed insulation	1
559022	2 + 2 external use with preformed insulation and brackets	1
559031	3 + 1 external use with preformed insulation and brackets	1

SPECIFICATION

- Max working pressure: 6 bar
- Working temperature range: 0 - 100°C
- With a hot preformed insulation shell in closed cell expanded PEX
- Complete with fixing brackets
- Centre distance: 90mm

550220



550 SERIES - COMPACT MANIFOLDS



Ref no	Size	Number of outlets	
550220	1½"	2 outlets	1
550230	1½"	3 outlets	1
550240	1½"	4 outlets	1
550221	1½"	2 + 1 outlets	1
550205	1½"	Hydraulic separator	1

NEW

SPECIFICATION

- Max working pressure: 6 bar
- Temperature range: 5 - 110°C
- Outlets: 1½" F with captive nut (ISO 228-1)
- Centre distance: 125 mm

DISCAL AUTOMATIC AIR SEPARATORS



Ref no	Size	Insulation	Connections	Body		
551002	22mm	No	Compression - no drain	Brass	10	-
551003	¾"	No	F x F BSP - no drain	Brass	10	-
551005	¾"	No	F x F BSP	Brass	6	-
551006	1"	No	F x F BSP	Brass	6	-
551007	1¼"	No	F x F BSP	Brass	6	-
551008	1½"	No	F x F BSP	Brass	6	-
551009	2"	No	F x F BSP	Brass	8	-
551050	DN50	No	Flanged PN16	Epoxy resin coated steel	1	-
551060	DN65	No	Flanged PN16	Epoxy resin coated steel	1	-
551080	DN80	No	Flanged PN16	Epoxy resin coated steel	1	-
551100	DN100	No	Flanged PN16	Epoxy resin coated steel	1	-
551905	¾"	No	F x F BSP	Brass	10	-
551906	1"	No	F x F BSP	Brass	10	-
551052	DN50	Yes	Flanged PN16	Epoxy resin coated steel	1	-
551062	DN65	Yes	Flanged PN16	Epoxy resin coated steel	1	-
551082	DN80	Yes	Flanged PN16	Epoxy resin coated steel	1	-
551102	DN100	Yes	Flanged PN16	Epoxy resin coated steel	1	-
551122	DN125	Yes	Flanged PN16	Epoxy resin coated steel	1	-
551152	DN150	Yes	Flanged PN16	Epoxy resin coated steel	1	-
551053	DN50	Yes	Welded socket	Epoxy resin coated steel	1	-
551063	DN65	Yes	Welded socket	Epoxy resin coated steel	1	-
551083	DN80	Yes	Welded socket	Epoxy resin coated steel	1	-
551103	DN100	Yes	Welded socket	Epoxy resin coated steel	1	-
551123	DN125	Yes	Welded socket	Epoxy resin coated steel	1	-
551153	DN150	Yes	Welded socket	Epoxy resin coated steel	1	-
551702	22mm	No	Compression	Brass	10	90
551703	28mm	No	Compression	Brass	10	90
551705	¾"	No	F x F BSP	Brass	10	90
551706	1"	No	F x F BSP	Brass	10	90

SPECIFICATION

- The Discal range of air eliminators are designed for use with heating circuits to provide an efficient method of air removal
- Max working pressure: 10 bar
- Max working temperature: 110°C without isolation
- Max percentage of glycol: 50%

For products 551052 - 551153 only

- Temperature range: 0 - 104°C (DN50-DN100)
- Temperature range: 0 - 100°C (DN125-DN150)
- With Insulation



551002



551006



551053



551706

502649



502420



502730



AUTOMATIC AIR VENTS



Ref no	Size	Connections	Pressure	Max Temp	Description		
502649	15mm	Compression	Discharge 6 bar	115°C	ROBOCAL	100	2400
502420	¼"	M BSP	Discharge 4 bar	115°C	ROBOCAL	112	2400
502430	⅜"	M BSP	Discharge 4 bar	115°C	ROBOCAL	50	2400
502530	⅜"	M BSP	Discharge 4 bar	115°C	ROBOCAL w/checkvalve	50	2400
502630	⅜"	M BSP	Discharge 6 bar	115°C	ROBOCAL	50	2400
502640	½"	M BSP	Discharge 6 bar	115°C	ROBOCAL	100	2400
502730	⅜"	M BSP	Discharge 6 bar	115°C	ROBOCAL w/checkvalve	100	2400
CA-100099	⅜"	M BSP	Discharge 6 bar	115°C	ROBOCAL w/checkvalve	100	2400
502030	⅜"	M BSP	Discharge 2.5 bar	120°C	MINICAL	50	2400
502040	½"	M BSP	Discharge 2.5 bar	120°C	MINICAL	50	2400
502050	¾"	M BSP	Discharge 2.5 bar	120°C	MINICAL w/hygroscopic cap	50	2400
502060	1"	M BSP	Discharge 2.5 bar	120°C	MINICAL w/hygroscopic cap	50	2400
502130	⅜"	M BSP	Discharge 2.5 bar	120°C	MINICAL w/checkvalve	100	2400
501500	¾"	M BSP	Discharge 6 bar	120°C	MAXCAL	50	2400
504401	½"	M BSP	Discharge 2.5 bar	100°C	AERCAL	25	-

SPECIFICATION

- The range of automatic air vents is operated via a float mechanism and is designed for the removal of air from systems



551004



DISCAL AIR AUTOMATIC AIR VENTS



Ref no	Size	Connections	Pressure	Temperature	
551004	½"	F BSP	Discharge 10 bar	Max 110°C	10

SPECIFICATION

- Max percentage of glycol: 50%
- Max working pressure: 10 bar
- Max discharge pressure: 10 bar
- Temperature range: 0 - 110°C

DISCALSLIM® DE-AERATOR



551802



Ref no	Size	Connections	Pressure	Temperature		
551802	22mm	Compression	Discharge 3 bar	Max 110°C	5	240
551805	¾"	F BSP	Discharge 3 bar	Max 110°C	10	-
551806	1"	F BSP	Discharge 3 bar	Max 110°C	10	-

SPECIFICATION

- Max percentage of glycol: 30%
- Max working pressure: 3 bar
- Temperature range: 0 - 110°C
- With hygroscopic safety cap

CAVSA VALVE KINETIC AIR VENT



Ref no	Size	Connections	Temperature		
118-2001	½"	M BSP	Max 60°C	20	-
118-2002	¾"	M BSP	Max 60°C	20	240
118-2003	1"	M BSP	Max 60°C	10	-
118-2004	2"	M BSP	Max 60°C	10	-



SPECIFICATION

- Operating pressure of 0.2 - 16 bar
- Internal parts: corrosion resistant plastic materials and synthetic rubber
- The valve allows the discharge of 60m³/h of air at pipe pressure of 0.5 bar, when fully-open



DIRT AND AIR SEPARATION - AUTOMATIC AIR VENTS

561300



CHECK VALVES FOR AUTOMATIC AIR VENTS

Ref no	Size	Connections	Pressure	Temperature	
561230	1/4" x 3/8"	M x F BSP with PTFE seal	10 bar	Max 110°C	500
561300	3/8" x 3/8"	M x F BSP with PTFE seal	10 bar	Max 110°C	500
561340	3/8" x 1/2"	M x F BSP with PTFE seal	10 bar	Max 110°C	200
561400	1/2" x 1/2"	M x F BSP with PTFE seal	10 bar	Max 110°C	200

508041



HYGROSCOPIC AIR VENTS

Ref no	Size	Connections	Pressure	Temperature	
508011	1/8"	M BSP with PTFE seal	10 bar	Max 100°C	200
508021	1/4"	M BSP with PTFE seal	10 bar	Max 100°C	25
508031	3/8"	M BSP with PTFE seal	10 bar	Max 100°C	25
508041	1/2"	M BSP with PTFE seal	10 bar	Max 100°C	400

118-1001 CST



CHROME AUTO AIR VENT

Ref no	Size	Description	
118-1001 CST	1/2"	Chrome auto air vent	1000
118-1002 RTL	1/2"	Chrome auto air vent blister pack	10

337131



MANUAL AIR VENTS

Ref no	Size	Connections	Pressure	Temperature	
337121	1/4"	M BSP with PTFE seal	6 bar	Max 85°C	200
337131	3/8"	M BSP with PTFE seal	6 bar	Max 85°C	200



DIRT AND AIR SEPARATION - STRAINERS

Y PATTERN STRAINERS

Ref no	Size	Connections		
AI-595015	15mm	Compression	100	2400
AI-595022	22mm	Compression	50	1200
AI-595028	28mm	Compression	25	600
AI-500015	1/2"	F x F BSP	150	3600
AI-500022	3/4"	F x F BSP	120	2880
AI-500025	1"	F x F BSP	60	1440
AI-500031	1 1/4"	F x F BSP	25	600
AI-500038	1 1/2"	F x F BSP	25	600
AI-500050	2"	F x F BSP	15	360
AI-500065	2 1/2"	F x F BSP	10	240
AI-500075	3"	F x F BSP	6	144
AI-500100	4"	F x F BSP	3	72



The Altecnic range of Y pattern strainers is designed for use within both domestic and commercial applications.



SPECIFICATION

- Max working pressure: 10 bar
- Max working temperature: 120°C
- Filter rating: 400 microns for the following product: 15mm, 22mm, 28mm, 3/8", 1/2", 3/4" and 1"
- Filter rating: 470 microns for the following products: 1 1/4" and 1 1/2"
- Filter rating: 530 microns for the following products: 2", 2 1/2", 3" and 4"

FOOT FILTERS

Ref no	Size	Connections	
BA-030015000	1/2"	M BSP	105
BA-030020000	3/4"	M BSP	80
BA-030025000	1"	M BSP	50
BA-030032000	1 1/4"	M BSP	80
BA-030040000	1 1/2"	M BSP	60
BA-030050000	2"	M BSP	24
BA-030065	2 1/2"	M BSP	20
BA-03008000	3"	M BSP	20
BA-030100	4"	M BSP	20



SPECIFICATION

- For use with our non-return valves

DIRTMAG® ACCESSORIES

Ref no	Size	Description	
ALT-DM37322	22mm	DirtMag isolation valves (pair)	20
ALT-DM37328	28mm	DirtMag isolation valves (pair)	20
ALT-DM1MHOSE	3/4"	DirtMag discharge hose	20
380400 LTC	1/2"	Drain off tailpiece	200
130-1016 CST		Valve union seal	1000
133-1041		Dirtmag washer	1000



Gauges

Monitoring of any system is vital to system commissioning and maintenance. The Altecnic range of pressure, temperature and combined gauges allows for multiple connection options and installation needs.

RANGE OVERVIEW

- Available in 50mm to 80mm diameter
- Back, offset back, centre back and bottom connections
- Domestic and commercial applications

Code	Diameter (Ø mm)	Connections (size/position)	Pressure (bar)	Temperature (°C)
WI-557104	50	¼" back	✓ 0 - 4	n/a
WI-557106	50	¼" back	✓ 0 - 6	n/a
WI-557204	50	¼" offset back	✓ 0 - 4	n/a
WI-557304	50	¼" bottom	✓ 0 - 4	n/a
WI-557306	50	¼" bottom	✓ 0 - 6	n/a
WI-557310	50	¼" bottom	✓ 0 - 10	n/a
WI-557410	63	¼" back	✓ 0 - 10	n/a
503040	80	½" centre back	✓ 0 - 4	✓ 0 - 120
503060	80	½" centre back	✓ 0 - 6	✓ 0 - 120
503140	80	½" bottom	✓ 0 - 4	✓ 0 - 120
503160	80	½" bottom	✓ 0 - 6	✓ 0 - 120
688000	80	½" centre back	n/a	✓ 0 - 120
688010	80	½" centre back	n/a	✓ 0 - 120
688100	80	½" bottom	n/a	✓ 0 - 120



Gauges

WI-557104



PRESSURE GAUGES 50MM Ø DIAL



Ref no	Size	Connections	Pressure		
WI-557104	50mm Ø dial	¼" back connection	0 - 4 bar	150	3600
WI-557106	50mm Ø dial	¼" back connection	0 - 6 bar	150	3600
WI-557204	50mm Ø dial	¼" bottom connection	0 - 4 bar	150	3600
WI-557304	50mm Ø dial	¼" bottom connection	0 - 4 bar	150	3600
WI-557306	50mm Ø dial	¼" bottom connection	0 - 6 bar	150	3600
WI-557310	50mm Ø dial	¼" bottom connection	0 - 10 bar	150	3600

SPECIFICATION

- 50mm dial, ABS black case with red pointer
- ¼" BSP connection
- Working temperature: -20°C to +80°C



WI-557410



PRESSURE GAUGES 63MM Ø DIAL



Ref no	Size	Connections	Pressure		
WI-557410	63mm Ø dial	¼" back connection	0 - 10 bar	150	3600

SPECIFICATION

- 63mm dial, ABS black case with red pointer
- ¼" BSP connection
- Working temperature: -20°C to +80°C



503040



TEMPERATURE AND PRESSURE GAUGES



Ref no	Size	Connections	Pressure	Temperature		
503040	80mm Ø dial	½" back connection	0 - 4 bar	0-120°C	10	3600
503060	80mm Ø dial	½" back connection	0 - 6 bar	0-120°C	10	3600
503140	80mm Ø dial	½" bottom connection	0 - 4 bar	0-120°C	20	3600
503160	80mm Ø dial	½" bottom connection	0 - 6 bar	0-120°C	20	3600

SPECIFICATION

- ½" central back connection
- With shut-off pocket
- Ø 80 mm
- Accuracy class: - temperature gauge UNI 2 - pressure gauge UNI 2,5

TEMPERATURE GAUGES



Ref no	Size	Connections	Probe	Temperature		
688000	80mm Ø dial	½" back connection	45mm probe length	0-120°C	10	720
688010	80mm Ø dial	½" back connection	100mm probe length	0-120°C	5	720
688100	80mm Ø dial	½" bottom connection	45mm probe length	0-120°C	10	720



688000

SPECIFICATION

- ½" central back connection
- With pocket
- Ø 80 mm
- Accuracy class: UNI 2

DIGITAL HAND HELD PRESSURE GAUGE



Ref no	Description		
PVADG	Digital hand held pressure gauge	20	720



PVADG

Backflow Prevention

There are legal requirements regulating water installations in domestic, commercial and health care premises. A backflow prevention device is used to protect potable water supplies from being contaminated or polluted.

RANGE OVERVIEW

Available in the range:

- RPZ valves
- Double check valves
- Single check valves
- Non-return valves
- Domestic and commercial applications

LEGISLATION

There are legal requirements regulating water installations in domestic, commercial and healthcare premises. The legislation which governs water installations within private premises is set out in:

- The Water Industry Act 1991
- The Water Supply (Water Fittings) Regulations 1999
- The Water Byelaws 2000, Scotland
- European Standard / British Standard 1717

To prevent the contamination of the wholesome water supply system, the Water Regulations require backflow protection devices to be installed at or near to all points where water is to be drawn off for use.



Backflow
Prevention

FLUID CATEGORIES

FLUID CATEGORY 1

Wholesome water supplied by the undertaker and complying with the requirements made under section 67 of the Water industry Act 1991/ the Water Supply (Water Quality) (Scotland) Regulations 1990 and any amendment.

Description given in Schedule 1: of the Water Supply (Water Fittings) Regulations and Scottish Water Byelaws

FLUID CATEGORY 2

Water in fluid category 1 whose aesthetic quality is impaired owing to -

- a change in its temperature, or
- the presence of substances or organisms causing a change in its taste, odour or appearance, including water in hot water distribution systems.

Description given in Schedule 1: of the Water Supply (Water Fittings) Regulations and Scottish Water Byelaws

FLUID CATEGORY 3

Fluid which represents a slight health hazard because of the concentration of substances of low toxicity, including any fluid which contains -

- ethylene glycol, copper sulphate solution or similar chemical additives, or
- sodium hypochlorite (chlorox and common disinfectants)

Description given in Schedule 1: of the Water Supply (Water Fittings) Regulations and Scottish Water Byelaws

FLUID CATEGORY 4

Fluid which represents a significant health hazard because of the concentration of toxic substances, including any fluid which contains -

- chemical, carcinogenic substances or pesticides (including insecticides and herbicides), or
- Environmental organisms of potential health significance

Description given in Schedule 1: of the Water Supply (Water Fittings) Regulations and Scottish Water Byelaws

FLUID CATEGORY 5

Fluid which represents a serious health hazard because of the concentration of pathogenic organisms, radioactive or very toxic substances, including any fluid which contains -

- faecal material or other human waste:
- butchery or other animal waste: or
- pathogens from any other source

BACKFLOW PREVENTION - RPZ VALVES

RPZ VALVES

Ref no	Size	Connections	Pressure	Icon
574040	1/2"	M x M BSP	16 bar	84
574050	3/4"	M x M BSP	16 bar	84
574600	1"	M x M BSP	16 bar	84
574700	1 1/4"	M x M BSP	16 bar	84
574800	1 1/2"	M x M BSP	16 bar	32
574900	2"	M x M BSP	16 bar	32
575006	DN65	Flanged PN16	16 bar	18
575008	DN80	Flanged PN16	16 bar	6
575010	DN100	Flanged PN16	16 bar	6

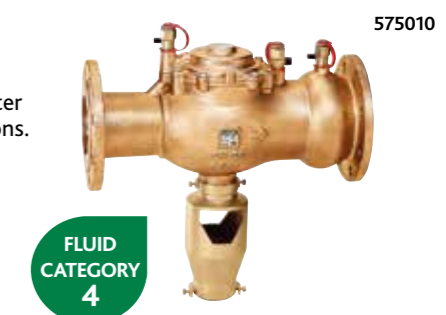
The Altecnic range of BA type backflow prevention devices designed for applications in water distribution systems to prevent back siphonage and back flow in fluid category 4 applications.

SPECIFICATION

- Max pressure at inlet: 16 bar
- Max working temperature: 65°C
- Complete list of spares available



FLUID CATEGORY 4



FLUID CATEGORY 4

RPZ VALVES - COMPLETE ASSEMBLIES

Ref no	Size	Connections	Pressure	Icon
570004	1/2"	F x F BSP	16 bar	1
570005	3/4"	F x F BSP	16 bar	1
570006	1"	F x F BSP	16 bar	1
570007	1 1/4"	F x F BSP	16 bar	1
570008	1 1/2"	F x F BSP	16 bar	1
570009	2"	F x F BSP	16 bar	1

The Altecnic range of BA type backflow prevention devices designed for applications in water distribution systems to prevent back siphonage and back flow in fluid category 4 applications.

SPECIFICATION

- Max pressure at inlet: 16 bar
- Max working temperature: 65°C
- Complete list of spares available
- Includes RPZ, isolation valve and strainer



FLUID CATEGORY 4

RPZ VALVES

Ref no	Size	Connections	Pressure	Icon
580040	DN15	1/2" M	10 bar	1
580050	DN20	3/4" M	10 bar	1
580060	DN25	1" M x M BSP	10 bar	1
580070	DN32	1 1/4" M x M BSP	10 bar	1

SPECIFICATION

- Backflow preventer with multifunction geometry
- BA type
- Dezincification resistant alloy body
- Threaded union connections
- For linear installation on horizontal or vertical pipes
- Complete with strainer at the inlet
- Max working temperature: 65°C
- Certified to BS EN 12729 standard



FLUID CATEGORY 4

BACKFLOW PREVENTION - DOUBLE CHECK VALVES

AI-903020



DOUBLE CHECK VALVES - ECOFIL®

Ref no	Size	Connections	Pressure		
AI-903015	½"	F x F BSP	10 bar	210	5670
AI-903020	¾"	F x F BSP	10 bar	120	3240
AI-903025	1"	F x F BSP	10 bar	60	1920
AI-903032	1¼"	F x F BSP	10 bar	20	1680
AI-903040	1½"	F x F BSP	10 bar	10	840
AI-903050	2"	F x F BSP	10 bar	5	420

SPECIFICATION

- Dezincification resistant brass alloy
- Max working pressure: 10 bar
- Max working temperature: 60°C



AI-903215



DOUBLE CHECK VALVES - ECOFIL®

Ref no	Size	Connections	Pressure		
AI-903215	15mm	Compression	10 bar	100	7200
AI-903222	22mm	Compression	10 bar	50	3600
AI-903228	28mm	Compression	10 bar	25	2100

SPECIFICATION

- Double check valve with compression ends
- Dezincification resistant brass alloy
- Nickel plated finish to body
- Max working pressure: 10 bar
- Max working temperature: 60°C



AI-05794940



DOUBLE CHECK VALVES

Ref no	Size	Connections	Pressure	
AI-05794940	¾"	M x F BSP	15 bar	1

Altecnic double check valves are used to prevent the risk of backflow and back siphonage contamination in domestic dwellings, public and commercial buildings. The valves should be installed close to the water outlet such as taps, basin taps, showers and toilets to prevent back siphonage contamination to the water supply, should a mains supply pipe burst.

NEW

SPECIFICATION

- Test pressure: 15 bar
- Max working pressure: 10 bar
- Min working pressure: 0.2 bar
- Max working temperature: 60°C
- Conforms to: BS EN 13959



BACKFLOW PREVENTION - DOUBLE CHECK VALVES

ISOLATION C/W DOUBLE CHECK VALVE

Ref no	Size	Connections	Pressure
A-123-2401 CST	15mm	Compression x Spigot	10 Bar

SPECIFICATION

- Max operating pressure: 10 bar
- Max operating temperature: 85°C



A-123-2401 CST

NEW

DCV ISOLATION & STRAINER

Ref no	Size	Connections	Pressure		
124-6030 CST	15mm	Compression	10 Bar	100	2400

The Altecnic 124-6030 CST is a monobloc manifold which contains a spherical ball valve, a 'Y' strainer and two single check valve cartridges all within a DZR alloy body. The ball isolating valve allows the mains water supply to be isolated, eliminating the need for an additional isolating valve.

SPECIFICATION

- Max operating pressure: 10 bar
- Check valve min. operating pressure: 0.2 bar
- Max operating temperature: 85°C



124-6030CST

NEW

DOUBLE CHECK VALVE COMPLETE WITH ISOLATOR

Ref no	Size	Connections	Pressure		
303615	15mm	Compression	10 bar	50	1200

SPECIFICATION

- Double check valve with compression ends
- Dezincification resistant brass alloy
- Nickel plated finish to body
- Max working pressure: 10 bar
- Max working temperature: 60°C



303615

BACKFLOW PREVENTION - DOUBLE CHECK VALVES

119-1007 CST



COMBINED ISOLATION, DOUBLE CHECK VALVE & STRAINER

Ref no	Size	Connections	Description	Box	Tray
119-1005 CST	½"	F BSP	Red Handle DCV Combi Valve	50	1200
119-1006 CST	½"	F BSP	Blue Handle DCV Combi Valve	50	1200
119-1007 CST	¾"	F BSP	Red Handle DCV Combi Valve	50	1200
119-1008 CST	¾"	F BSP	Blue Handle DCV Combi Valve	50	1200

The combined isolation, strainer and double check valve is the ideal compact valve to provide backflow prevention to the water supply.

SPECIFICATION

- Max working pressure: 10 bar
- Min inlet pressure: 0.1 bar
- Max continuous temperature: 85°C



119-1008 CST



NEW

119-1003



COMBINED ISOLATION, STRAINER & DOUBLE CHECK VALVE

Ref no	Size	Connections	Description	Box	Tray
119-1003	½"	F x Compression	Red Handle DCV Combi Valve	50	1200
119-1004	¾"	F x Compression	Blue Handle DCV Combi Valve	15	1600

The combined isolation, strainer and double check valve is the ideal compact valve to provide backflow prevention to the water supply.

SPECIFICATION

- Max working pressure: 10 bar
- Min inlet pressure: 0.1 bar
- Max continuous temperature: 85°C



119-1004



NEW

BACKFLOW PREVENTION - SINGLE CHECK VALVES

SINGLE CHECK VALVES



BI-100034

Ref no	Size	Connections	Pressure	Box	Tray
BI-100034	15mm	Compression	10 bar	240	2400
BI-100S22	22mm	Compression	10 bar	144	1440
BI-100S28	28mm	Compression	10 bar	90	2430

SPECIFICATION

- Single check valve with compression ends
- Dezincification resistant brass alloy
- Nickel plated finish to body
- Max working pressure: 10 bar
- Max working temperature: 85°C



BACKFLOW PREVENTION

SINGLE CHECK VALVES

Ref no	Size	Connections	Pressure	Box	Tray
ALT-SCV015	½"	F x F BSP	10 bar	360	3600
ALT-SCV020	¾"	F x F BSP	10 bar	192	5184
ALT-SCV025	1"	F x F BSP	10 bar	114	1140
ALT-SCV032	1¼"	F x F BSP	10 bar	60	1920
ALT-SCV040	1½"	F x F BSP	10 bar	48	1536
ALT-SCV050	2"	F x F BSP	10 bar	30	960

SPECIFICATION

- Dezincification resistant brass alloy
- Yellow brass finish to body
- Max working pressure: 10 bar
- Max working temperature: 60°C



ALT-SCV015

SINGLE CHECK VALVES



AI-05731480

Ref no	Size	Connections	Pressure	Box
AI-05731480	¾"	M x F BSP	15 bar	1

Altecnic single check valves are used to prevent the risk of backflow and back siphonage contamination in domestic dwellings, public and commercial buildings. The valves should be installed close to the water outlet such as taps, basin taps, showers and toilets to prevent back siphonage contamination to the water supply, should a mains supply pipe burst.

SPECIFICATION

- Test pressure: 15 bar
- Max working pressure: 10 bar
- Min working pressure: 0.2 bar
- Max working temperature: 60°C
- Conforms to: BS EN 13959



NEW



BACKFLOW PREVENTION - NON RETURN VALVES

BA-300020



NON RETURN VALVES



Ref no	Size	Connections	Max Pressure	Box
BA-300020	1/4"	F x F BSP	16 bar	60
BA-300030	3/8"	F x F BSP	16 bar	120
BA-300040	1/2"	F x F BSP	16 bar	120
BA-300050	3/4"	F x F BSP	16 bar	108
BA-300060	1"	F x F BSP	16 bar	84
BA-300070	1 1/4"	F x F BSP	10 bar	72
BA-300080	1 1/2"	F x F BSP	10 bar	40
BA-300090	2"	F x F BSP	10 bar	36
BA-300100	2 1/2"	F x F BSP	8 bar	15
BA-300110	3"	F x F BSP	8 bar	12
BA-300120	4"	F x F BSP	8 bar	5

SPECIFICATION

- Spring loaded universal check valve with soft seating and stainless steel spring
- Other models available on request
- Max working temperature: 110°C

BA-030015000



FOOT FILTERS



Ref no	Size	Connections	Box
BA-030015000	1/2"	M BSP	105
BA-030020000	3/4"	M BSP	80
BA-030025000	1"	M BSP	50
BA-030032000	1 1/4"	M BSP	80
BA-030040000	1 1/2"	M BSP	60
BA-030050000	2"	M BSP	24
BA-030065	2 1/2"	M BSP	20
BA-03008000	3"	M BSP	20
BA-030100	4"	M BSP	20

SPECIFICATION

- For use with our non-return valves

BACKFLOW PREVENTION - TUNDISHES

TUNDISHES



Ref no	Size	Connections	Body	Description	Box
AP-400001*	1/2" x 3/4"	M x F BSP	Angled	Plastic	200
AP-400002*	3/4" x 1"	M x F BSP	Angled	Plastic	100
AP-400003	3/4" x 1/2"	M x F BSP	Straight	Plastic	200
AL-400010*	15mm x 22mm	Compression x Compression	Straight	Plastic with plastic nuts	532
AP-400011*	22mm x 28mm	Compression x Compression	Straight	Plastic with plastic nuts	160
552140	1/2" x 3/4"	M x F BSP	Angled	Aluminium	30
552150	3/4" x 1"	M x F BSP	Angled	Aluminium	1
552160	1" x 1 1/4"	M x F BSP	Angled	Aluminium	10
552050	3/4" x 3/4"	F x F BSP	Straight	Aluminium	25
552070	1 1/4" x 1 1/4"	F x F BSP	Straight	Aluminium	20
128-2001 CST*	1" x 1 1/4"	F x F BSP	Straight	Mild steel	10
128-2003 CST	1 1/2" x 2"	F x F BSP	Straight	Mild steel	10
128-2004 CST*	2" x 2 1/2"	F x F BSP	Straight	Mild steel	1
128-2005 CST	2 1/2" x 3"	F x F BSP	Straight	Mild steel	5

SPECIFICATION

- Suitable for use where air gap or air break is required in sealed or unvented systems.



AP-400001



AL-400010



552140



128-2001 CST

BACKFLOW PREVENTION

Ball Valves

Altecnic offer a range of ball valves to control the flow of water. Available in a range of sizes with a variety of different handles to suit each application. The Altecnic Intaball lever ball valve with compression ends is the ideal isolation valve for use in copper pipe systems.

RANGE OVERVIEW

The Intaball® brass ball valves are lever operated through 90°, with bi-directional flow.

- Hard chrome plated ball for increased wear resistance.
- Compact design, with PTFE body seats for reliable isolation.
- Anti blow out stem for added security.
- The valves are designed for high flow rates with minimum pressure drops.
- Supplied with compression ends complying with BS EN 1252-2 for use with R250 (half hard) copper tube.
- Valves are available with either a red or blue lever for visual indication of hot or cold service.
- Full bore flow improves system efficiency and reduces wear and tear.



Ball
Valves

BALL VALVES - WATER

AI-373B22

FULL BORE



INTABALL® LEVER BALL VALVES - BLUE HANDLE

Ref no	Size	Connections	Body	Pressure	Box	Tray
AI-373B15	15mm	Compression	Brass	25 bar	100	2400
AI-373B22	22mm	Compression	Brass	25 bar	50	1200
AI-373B28	28mm	Compression	Brass	25 bar	40	960
AI-373B35	35mm	Compression	Brass	16 bar	20	480
AI-373B42	42mm	Compression	Brass	16 bar	10	240
AI-373B54	54mm	Compression	Brass	16 bar	4	96

SPECIFICATION

- Temperature range: -20°C - 99°C
- Complies with full bore BS EN 13828:2003



BALL VALVES - WATER

DZR INTABALL VALVE - BLUE HANDLE

Ref no	Size	Connections	Body	Pressure	Box	Tray
AI-383B15	15mm	Compression	DZR	25 bar	100	2400
AI-383B22	22mm	Compression	DZR	25 bar	75	1800
AI-383B28	28mm	Compression	DZR	25 bar	40	960

SPECIFICATION

- Temperature range: -20°C - 99°C
- Complies with full bore BS EN 13828:2003



NEW



FULL BORE

AI-171B07

FULL BORE



INTABALL® LEVER BALL VALVES - BLUE HANDLE

Ref no	Size	Connections	Body	Pressure	Box	Tray
AI-171B02	1/4"	F x F BSP	Brass	50 bar	150	3600
AI-171B03	3/8"	F x F BSP	Brass	50 bar	180	4320
AI-171B04	1/2"	F x F BSP	Brass	50 bar	100	2400
AI-171B05	3/4"	F x F BSP	Brass	50 bar	75	1800
AI-171B06	1"	F x F BSP	Brass	40 bar	40	960
AI-171B07	1 1/4"	F x F BSP	Brass	25 bar	24	576
AI-171B08	1 1/2"	F x F BSP	Brass	16 bar	18	432
AI-171B09	2"	F x F BSP	Brass	16 bar	12	288
AI-171B10	2 1/2"	F x F BSP	Brass	16 bar	6	144
AI-171B11	3"	F x F BSP	Brass	16 bar	4	96
AI-171B12	4"	F x F BSP	Brass	16 bar	2	48

SPECIFICATION

- Temperature range: -20°C - 99°C
- Complies with full bore BS EN 13828:2003



DZR INTABALL VALVE - BLUE BUTTERFLY HANDLE

Ref no	Size	Connections	Body	Pressure	Box	Tray
AI-383115	15mm	Compression	DZR	25 bar	100	2400
AI-383222	22mm	Compression	DZR	25 bar	75	1800
AI-383228	28mm	Compression	DZR	25 bar	40	960

SPECIFICATION

- Temperature range: -20°C - 99°C
- Complies with full bore BS EN 13828:2003



NEW



FULL BORE

AI-373115

FULL BORE



INTABALL® BALL VALVES - BLUE BUTTERFLY HANDLE

Ref no	Size	Connections	Body	Pressure	Box	Tray
AI-373115	15mm	Compression	Brass	25 bar	100	2400
AI-373222	22mm	Compression	Brass	25 bar	75	1800
AI-373228	28mm	Compression	Brass	25 bar	40	960
AI-171BB4	1/2"	F x F BSP	Brass	50 bar	100	2400
AI-171BB5	3/4"	F x F BSP	Brass	50 bar	75	1800

SPECIFICATION

- Temperature range: -20°C - 99°C
- Complies with full bore BS EN 13828:2003



EXTENSION KIT FOR INTABALL VALVE

Ref no	Description	Box	Tray
124-9106	Extension Kit for 15/22mm Intaball Valve	100	1000
124-9107	Extension Kit for 28mm Intaball Valve	100	1000

SPECIFICATION

- Temperature range: -20°C - 99°C
- Complies with full bore BS EN 13828:2003



NEW



FULL BORE

BALL VALVES - WATER

AI-373R15

FULL BORE



INTABALL® LEVER BALL VALVES - RED HANDLE

Ref no	Size	Connections	Body	Pressure		
AI-373R15	15mm	Compression	Brass	25 bar	100	2400
AI-373R22	22mm	Compression	Brass	25 bar	50	1200
AI-373R28	28mm	Compression	Brass	25 bar	40	960
AI-373R35	35mm	Compression	Brass	16 bar	20	480
AI-373R42	42mm	Compression	Brass	16 bar	10	240
AI-373R54	54mm	Compression	Brass	16 bar	4	96

SPECIFICATION

- Temperature range: -20°C - 99°C
- Complies with full bore BS EN 13828:2003



AI-171R02

FULL BORE



INTABALL® LEVER BALL VALVES - RED HANDLE

Ref no	Size	Connections	Body	Pressure		
AI-171R02	1/4"	F x F BSP	Brass	50 bar	20	480
AI-171R03	3/8"	F x F BSP	Brass	50 bar	180	4320
AI-171R04	1/2"	F x F BSP	Brass	50 bar	100	2400
AI-171R05	3/4"	F x F BSP	Brass	50 bar	75	1800
AI-171R06	1"	F x F BSP	Brass	40 bar	40	960
AI-171R07	1 1/4"	F x F BSP	Brass	25 bar	24	576
AI-171R08	1 1/2"	F x F BSP	Brass	16 bar	18	432
AI-171R09	2"	F x F BSP	Brass	16 bar	12	288
AI-171R10	2 1/2"	F x F BSP	Brass	16 bar	6	144
AI-171R11	3"	F x F BSP	Brass	16 bar	4	96
AI-171R12	4"	F x F BSP	Brass	16 bar	2	48

SPECIFICATION

- Temperature range: -20°C - 99°C
- Complies with full bore BS EN 13828:2003



AI-373RB2

FULL BORE



INTABALL® BALL VALVES - RED BUTTERFLY HANDLE

Ref no	Size	Connections	Body	Pressure		
AI-373RB5	15mm	Compression	Brass	25 bar	100	2400
AI-373RB2	22mm	Compression	Brass	25 bar	75	1800
AI-373RB8	28mm	Compression	Brass	25 bar	40	960
AI-171RB4	1/2"	F x F BSP	Brass	50 bar	100	2400
AI-171RB5	3/4"	F x F BSP	Brass	50 bar	75	1800

SPECIFICATION

- Temperature range: -20°C - 99°C
- Complies with full bore BS EN 13828:2003



BALL VALVES - WATER

DZR INTABALL VALVE - RED HANDLE

Ref no	Size	Connections	Body	Pressure		
AI-383R15	15mm	Compression	DZR	25 bar	100	2400
AI-383R22	22mm	Compression	DZR	25 bar	75	1800
AI-383R28	28mm	Compression	DZR	25 bar	40	960

SPECIFICATION

- Temperature range: -20°C - 99°C
- Complies with full bore BS EN 13828:2003



NEW



DZR INTABALL VALVE - RED BUTTERFLY HANDLE

Ref no	Size	Connections	Body	Pressure		
AI-383RB5	15mm	Compression	DZR	25 bar	100	2400
AI-383RB2	22mm	Compression	DZR	25 bar	75	1800
AI-383RB8	28mm	Compression	DZR	25 bar	40	960

SPECIFICATION

- Temperature range: -20°C - 99°C
- Complies with full bore BS EN 13828:2003



NEW



LOCKABLE ACCESSORY FOR USE WITH INTABALL VALVE - RED HANDLE

Ref no	Description		
124-9102	15/22mm lockable Intaball handle	100	1000
124-9103	28mm lockable Intaball handle	100	1000

NEW



EXTENSION KIT FOR INTABALL VALVE

Ref no	Description		
124-9106	Extension Kit for 15/22mm Intaball Valve	100	1000
124-9107	Extension Kit for 28mm Intaball Valve	100	1000

NEW



BALL VALVES - WATER

AI-397004



INTABALL® COMBI BALL VALVES



Ref no	Size	Connections	Drainport		
AI-397004	½"	F x F BSP	No	50	1200
AI-397104	¾"	F x F BSP	No	25	600
AI-397115	15mm	Compression	No	50	1200
AI-397122	22mm	Compression	No	25	600
AI-397204	1"	F x F BSP	No	25	600
AI-401005	½" x ¾"	F BSP x swivel	No	25	-
AI-395004	½"	F x F BSP	Yes	50	1200
AI-395104	¾"	F x F BSP	Yes	25	600
AI-395115	15mm	Compression	Yes	50	-

SPECIFICATION

- Max working pressure - threaded: 25 bar
Max working pressure - Cu x Cu: 25 bar
- Max working temperature: 120°C
- Strainer mesh size: 400µ - 0.4mm
- Compression ends: BS EN 1254 - 2
- Threaded ends: ISO 228 - 1
- Drain port thread: G¼"



323040



BALLSTOP



Ref no	Size	Connections	Body	Handle type	
323040	½"	F x F BSP	Brass	Butterfly	80
323050	¾"	F x F BSP	Brass	Butterfly	80
323060	1"	F x F BSP	Brass	Lever	40
323062	1"	F x F BSP	Brass	Butterfly	40
323070	1¼"	F x F BSP	Brass	Lever	20
323080	1½"	F x F BSP	Brass	Lever	10
323090	2"	F x F BSP	Brass	Lever	8
332400	½"	M x F BSP	Brass	Butterfly	80
333500	¾" x ¾"	F x Swivel BSP	Brass	Butterfly	80
334500	¾" x ¾"	M x Swivel BSP	Brass	Butterfly	60

SPECIFICATION

- The ballstop range of in-line lever ball valves with an integrated check valve situated within the ball of the valve
- Max working pressure: 16 bar
- Max working temperature: 90°C



BALL VALVES - WATER

UNION BALL VALVES



Ref no	Size	Connections	Body	Pressure	
124-3200	½"	M swivel x F BSP	Brass	16 bar	60
124-3201	¾"	M swivel x F BSP	Brass	16 bar	60
124-3202	1"	M swivel x F BSP	Brass	16 bar	30
124-3203	1¼"	M swivel x F BSP	Brass	16 bar	20
124-3204	1½"	M swivel x F BSP	Brass	16 bar	12
124-3205	2"	M swivel x F BSP	Brass	16 bar	-



124-3200

SPECIFICATION

- Temperature range: -20°C - 99°C
- Complies with full bore BS EN 13828:2003

NEW

RED LEVER BALL VALVE



Ref no	Size	Connections	Body	Pressure	
AI-856A04	½"	M x F BSP	Brass	50 bar	50
AI-856A05	¾"	M x F BSP	Brass	50 bar	40
AI-856A06	1"	M x F BSP	Brass	40 bar	40
AI-856A07	1¼"	M x F BSP	Brass	25 bar	25
AI-856A08	1½"	M x F BSP	Brass	16 bar	18
AI-856A09	2"	M x F BSP	Brass	16 bar	12



AI-856A05

SPECIFICATION

- Temperature range: -20°C - 99°C
- Complies with full bore BS EN 13828:2003

NEW



AI-856A09

BALL VALVES - WATER

124-1019 CST



NEW

BALL VALVE WITH M10 SENSOR POCKET



Ref no	Size	Connections	Pressure	Weight
124-7002 CST	1/2"	F X F Ball Valves complete with M10 Sensor Pocket	16 bar	20
124-1019 CST	3/4"	F X F Ball Valves complete with M10 Sensor Pocket	16 bar	15
124-7001 CST	1"	F X F Ball Valves complete with M10 Sensor Pocket	16 bar	10

SPECIFICATION

- Min working temperature: - + 5°C
- Max working temperature: - + 90° C
- Max pressure: 16 bar
- Threaded ends: ISO 228 - 1

W-124-2001



STAINLESS STEEL BALL VALVES



Ref no	Size	Connections	Body	Pressure	Weight
W-124-2001	1/2"	F x F screwed iron	Brass	63 bar	200
W-124-2002	3/4"	F x F screwed iron	Brass	63 bar	200
W-124-2003	1"	F x F screwed iron	Brass	50 bar	160
W-124-2004	1 1/4"	F x F screwed iron	Brass	50 bar	100
W-124-2005	1 1/2"	F x F screwed iron	Brass	40 bar	100
W-124-2006	2"	F x F screwed iron	Brass	40 bar	50

SPECIFICATION

- Max pressure 1/2" & 3/4": 63 bar
- Max pressure 1" & 1 1/4": 50 bar
- Max pressure 1 1/2" & 2": 40 bar

124-6003 CST



FILTER BALL VALVES



Ref no	Size	Connections	Body	Pressure	Weight
124-6003 CST *	1/2"	F x F BSP	Brass	30 bar	84 1008
124-6004 CST	3/4"	F x F BSP	Brass	30 bar	64 768
124-6005 CST	1"	F x F BSP	Brass	30 bar	48 576
124-6006 CST	1 1/4"	F x F BSP	Brass	20 bar	16 192
124-6007 CST	1 1/2"	F x F BSP	Brass	20 bar	12 144
124-6008 CST	2"	F x F BSP	Brass	20 bar	8 96

* 1/2" complies with the full bore and the other sizes exceeds the reduced bore diameter circle specified in BS EN 13547.



SPECIFICATION

- Max pressure 1/2" - 1": 30 bar
- Max pressure 1 1/4" - 2": 20 bar
- Max temperature: 99°C
- Working temp. range: -20 - 100°C
- Strainer mesh size: 500 µ - 0.5 mm
- Threaded ends: ISO 228 - 1

BALL VALVES - WATER

3 WAY BALL VALVES - L PORT



Ref no	Size	Description	Body	Weight
124-5001 CST	1/4"	L-pattern 3-way ball valve	Brass	8 96
124-5002 CST	3/8"	L-pattern 3-way ball valve	Brass	12 96
124-5003 CST	1/2"	L-pattern 3-way ball valve	Brass	8 96
124-5004 CST	3/4"	L-pattern 3-way ball valve	Brass	12 96
124-5005 CST	1"	L-pattern 3-way ball valve	Brass	4 192
124-5006 CST	1 1/4"	L-pattern 3-way ball valve	Brass	10 320
124-5007 CST	1 1/2"	L-pattern 3-way ball valve	Brass	10 320
124-5008 CST	2"	L-pattern 3-way ball valve	Brass	10 320
125-5009 CST	2 1/2"	L-pattern 3-way ball valve	Brass	10 320

SPECIFICATION

- Min working temperature: -10°C
- Max pressure: 40 bar
- Max working temperature: +100°C
- Threaded ends: ISO 228/1

124-5001 CST



3 WAY BALL VALVES - T PORT



Ref no	Size	Description	Body	Weight
124-5010 CST	1/4"	T-pattern 3-way ball valve	Brass	10 320
124-5011 CST	3/8"	T-pattern 3-way ball valve	Brass	10 320
124-5012 CST	1/2"	T-pattern 3-way ball valve	Brass	10 320
124-5013 CST	3/4"	T-pattern 3-way ball valve	Brass	10 320
124-5014 CST	1"	T-pattern 3-way ball valve	Brass	2 320
124-5015 CST	1 1/4"	T-pattern 3-way ball valve	Brass	10 180
124-5016 CST	1 1/2"	T-pattern 3-way ball valve	Brass	10 180
124-5017 CST	2"	T-pattern 3-way ball valve	Brass	10 180
125-5018 CST	2 1/2"	T-pattern 3-way ball valve	Brass	10 180

SPECIFICATION

- Min working temperature: -10°C
- Max. pressure: 40 bar
- Max working temperature: +100°C
- Threaded ends: ISO 228/1



BALL VALVES - WATER

124-8101



FULL BORE



INTABALL® PRESS FIT LEVER BALL VALVES - RED LEVER



Ref no	Size	Connections	Body	Pressure	Box	Carton
124-8101	15mm x 15mm	Copper press fit	Brass	40 bar	80	2560
124-8103	22mm x 22mm	Copper press fit	Brass	40 bar	60	1920
124-8104	28mm x 28mm	Copper press fit	Brass	40 bar	40	1536
124-8105	35mm x 35mm	Copper press fit	Brass	25 bar	20	640
124-8106	42mm x 42mm	Copper press fit	Brass	10 bar	12	384
124-8107	54mm x 54mm	Copper press fit	Brass	10 bar	4	128
124-8108	15mm x 1/2"	Copper press fit x F BSP	Brass	40 bar	80	2560
124-8110	22mm x 3/4"	Copper press fit x F BSP	Brass	40 bar	60	1920
124-8111	28mm x 1"	Copper press fit x F BSP	Brass	40 bar	40	1280
124-8112	35mm x 1 1/4"	Copper press fit x F BSP	Brass	25 bar	20	640

SPECIFICATION

- Anti blow out stem
- Lever operated through 90° with bi-directional resistance
- PTFE body seats for reliable isolation
- M&V press up to 35mm

124-8201



FULL BORE



INTABALL® PRESS FIT LEVER BALL VALVES - BLUE LEVER



Ref no	Size	Connections	Body	Pressure	Box	Carton
124-8201	15mm x 15mm	Copper press fit	Brass	40 bar	80	2560
124-8203	22mm x 22mm	Copper press fit	Brass	40 bar	60	1920
124-8204	28mm x 28mm	Copper press fit	Brass	40 bar	40	1280
124-8205	35mm x 35mm	Copper press fit	Brass	25 bar	20	640
124-8206	42mm x 42mm	Copper press fit	Brass	10 bar	12	384
124-8207	54mm x 54mm	Copper press fit	Brass	10 bar	4	128
124-8208	15mm x 1/2"	Copper press fit x F BSP	Brass	40 bar	80	2560
124-8210	22mm x 3/4"	Copper press fit x F BSP	Brass	40 bar	60	1920
124-8211	28mm x 1"	Copper press fit x F BSP	Brass	40 bar	40	1280
124-8212	35mm x 1 1/4"	Copper press fit x F BSP	Brass	25 bar	20	640

SPECIFICATION

- Anti blow out stem
- Lever operated through 90° with bi-directional resistance
- PTFE body seats for reliable isolation
- M&V press up to 35mm

BALL VALVES - WATER

124-8026



INTABALL® PRESS FIT LEVER BALL VALVES WITH NYLON STEM EXTENTION

Ref no	Size	Connections	Body	Pressure	Box	Carton
124-8026	15mm x 15mm	Copper press fit	Brass	40 bar	60	1920
124-8028	22mm x 22mm	Copper press fit	Brass	40 bar	36	1280
124-8029	28mm x 28mm	Copper press fit	Brass	40 bar	30	640
124-8030	35mm x 35mm	Copper press fit	Brass	25 bar	16	640
124-8031	42mm x 42mm	Copper press fit	Brass	10 bar	12	385
124-8032	54mm x 54mm	Copper press fit	Brass	10 bar	8	128



FULL BORE

SPECIFICATION

- Anti blow out stem
- The extension with integral Tee handle is condensation proof with high thermal insulation
- PTFE body seats for reliable isolation
- M&V press up to 35mm
- Colour coded caps for the extension

BALL VALVES - WATER

124-8008



FULL BORE

INTABALL® PRESS FIT LEVER BALL VALVES



Ref no	Size	Connections	Body	Pressure	Box	Carton
124-8001	15mm x 15mm	Copper press fit	Brass	40 bar	80	1920
124-8003	22mm x 22mm	Copper press fit	Brass	40 bar	40	1280
124-8004	28mm x 28mm	Copper press fit	Brass	40 bar	32	640
124-8005	35mm x 35mm	Copper press fit	Brass	25 bar	20	640
124-8006	42mm x 42mm	Copper press fit	Brass	10 bar	12	385
124-8007	54mm x 54mm	Copper press fit	Brass	10 bar	4	128
124-8008	15mm x 1/2"	Copper press fit x F BSP	Brass	40 bar	120	1920
124-8010	22mm x 3/4"	Copper press fit x F BSP	Brass	40 bar	60	1280
124-8011	28mm x 1"	Copper press fit x F BSP	Brass	40 bar	48	640
124-8012	35mm x 1 1/4"	Copper press fit x F BSP	Brass	25 bar	30	640

SPECIFICATION



- Anti blow out stem
- Lever operated through 90° with bi-directional resistance
- PTFE body seats for reliable isolation
- M&V press up to 35mm
- V press for 42mm and 54mm

124-8013



FULL BORE

INTABALL® PRESS FIT BUTTERFLY LEVER BALL VALVES



Ref no	Size	Connections	Body	Pressure	Box	Carton
124-8013	15mm x 15mm	Copper press fit	Brass	40 bar	80	1920
124-8015	22mm x 22mm	Copper press fit	Brass	40 bar	72	1280
124-8016	28mm x 28mm	Copper press fit	Brass	40 bar	48	640
124-8017	15mm x 1/2"	Copper press fit x F BSP	Brass	40 bar	100	640
124-8019	22mm x 3/4"	Copper press fit x F BSP	Brass	40 bar	72	385
124-8020	28mm x 1"	Copper press fit x F BSP	Brass	40 bar	60	128

SPECIFICATION



- Anti blow out stem
- Compact design with butterfly lever
- PTFE body seats for reliable isolation
- M&V press up to 35mm

124-8021



FULL BORE

INTABALL® PRESS FIT LEVER BALL VALVES WITH STEM EXTENTION



Ref no	Size	Connections	Body	Pressure	Box	Carton
124-8021	15mm x 15mm	Copper press fit	Brass	40 bar	60	1920
124-8023	22mm x 22mm	Copper press fit	Brass	40 bar	36	1280
124-8024	28mm x 28mm	Copper press fit	Brass	40 bar	24	640
124-8025	35mm x 35mm	Copper press fit	Brass	25 bar	12	640

SPECIFICATION

- Anti blow out stem
- Lever operated through 90° with bi-directional resistance
- PTFE body seats for reliable isolation
- M&V press up to 35mm

BALL VALVES - WATER

DZR SERVICE VALVE COMPLETE WITH BLACK LEVER HANDLE



Ref no	Size	Connections	Body	Box	Carton
EU-002630108	15mm	Compression	Brass	100	1000
EU-002630111	22mm	Compression	Brass	80	1000

SPECIFICATION

- Max working pressure: 10 bar
- Temperature range: -20°C - 99°C



EU-002630108

PUSH FIT SERVICE VALVE



Ref no	Size	Connections	Body	Box	Carton
AI-SF9086XX	15mm x 1/2"	Pushfit x Swivel	Brass	100	960

SPECIFICATION

- Max working pressure: 10 bar
- Temperature range: -20°C - 99°C



AI-SF9086XX

DUCTILE IRON BALL VALVE



Ref no	Size	Connections	Body
124-5100 CST	50mm	Flanged	Ductile Iron
124-5101 CST	65mm	Flanged	Ductile Iron
124-5102 CST	80mm	Flanged	Ductile Iron
124-5103 CST	100mm	Flanged	Ductile Iron
124-5104 CST	125mm	Flanged	Ductile Iron
124-5105 CST	150mm	Flanged	Ductile Iron

SPECIFICATION

- Max working pressure between flanges: 16 bar
- Max working temperature end of line: 10 bar
- Temperature range: -10 - 100°C

NEW



BALL VALVES

BALL VALVES - GAS

AI-331115



AI-033103



CE marked

UK CA marked

EN 331:2015 APPROVED LEVER OPERATED BALL VALVES - FOR GAS



Ref no	Size	Connections	Body		
AI-331115	15mm	Compression	Brass	100	2400
AI-331122	22mm	Compression	Brass	50	1200
AI-331128	28mm	Compression	Brass	40	960
AI-331135	35mm	Compression	Brass	20	480
AI-331142	42mm	Compression	Brass	10	432
AI-331154	54mm	Compression	Brass	4	240
AI-033103	3/8"	F x F BSP	Brass	120	2880
AI-033104	1/2"	F x F BSP	Brass	100	2400
AI-033105	3/4"	F x F BSP	Brass	60	1440
AI-033106	1"	F x F BSP	Brass	36	864
AI-033107	1 1/4"	F x F BSP	Brass	20	480
AI-033108	1 1/2"	F x F BSP	Brass	18	432
AI-033109	2"	F x F BSP	Brass	10	240
AI-331A05	3/4"	M x F BSP	Brass	60	1440
AI-331A06	1"	M x F BSP	Brass	36	864

The Intaball gas range of full bore valves has been designed and built to meet the requirements of BS EN 331: 2015



SPECIFICATION

- Max working pressure: 10 bar
- Temperature range: -20°C - 60°C
- Gas families: 1st, 2nd & 3rd

PUMP BALL VALVES

GATE TYPE PUMP VALVE

Ref no	Size	Connections		
AI-0004A0822CL	22mm x 1 1/2"	Compression x swivel F	50	1600
AI-0004A0828CL	28mm x 1 1/2"	Compression x swivel F	50	1600



AI-0004A0822CL

SPECIFICATION

- Max working pressure: 10 bar
- Max working temperature: 85°C

BALL TYPE PUMP VALVE

Ref no	Size	Connections	
AI-03740508	22mm x 1 1/2"	Compression x swivel F	50
AI-03740510	28mm x 1 1/2"	Compression x swivel F	50



AI-03740508

SPECIFICATION

- Max working pressure: 10 bar
- Max working temperature: 85°C

PUMP ADAPTOR

Ref no	Size	Connections	
ALT-ACTFIT112	1 1/2"	F x F BSP	100



ALT-ACTFIT112

SPECIFICATION

- The ALT-ACTFIT112 can be used singly or as a pair as makeup pieces

Flow Regulation

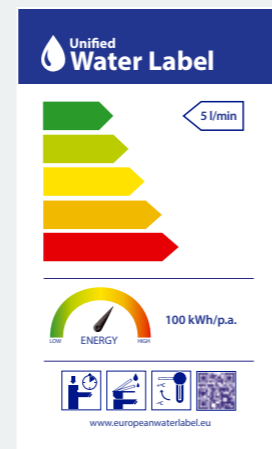
Altecnic is dedicated to the efficient use of water, ensuring that we reduce our environmental impact and minimise any waste of water. Our product designers have produced a range of products where fit, function and ease of install is paramount. This range includes Calflow plus and Flow regulators.

RANGE OVERVIEW

- Multi-function flow
- Available in size 15mm
- Interchangeable flow cartridges and strainer

INDUSTRY STANDARDS

Our products have been designed and manufactured to meeting the industry standards of best practice and requirements of BREEAM, the Water Technology List and the Water Efficient Product Labelling Scheme.



Flow Regulation

FLOW REGULATION

BREEAM

The Building Research Establishment set up BREEAM (Building Research Establishment Environmental Assessment Method) as a way to determine the environmental performance of buildings.

BREEAM highlights the use of water in buildings. Points, which count towards the assessment rank, are awarded depending on the level of environmental efficiency achieved. Most building types can be specified and assessed using one of BREEAM's defined categories which include healthcare, industrial, prisons, retail, education, offices as well as domestic housing.

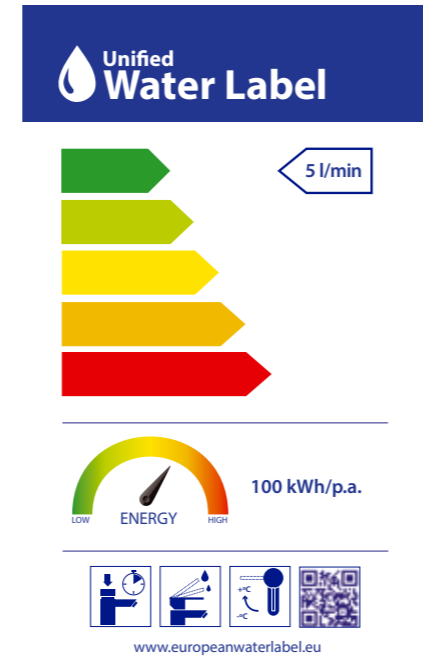
BREEAM's scope does not only cover water saving but energy usage, materials, comfort and the environmental impacts. The advantages of a BREEAM building extend to both designer and end user; the end user receives a building that is economic to run and the designer can clearly demonstrate compliance with environmental requirements. - (www.breeam.org)

The Water Efficient Product Labelling Scheme

The Unified Water Label Scheme is independently supported by the Department for Environment, Food and Rural Affairs (DEFRA). It is a method of reviewing water efficient products driven by a regularly maintained database.

Each product in the central database is tested and colour coded. A simple scale ranging from low to high water use provides an at a glance indication of its water saving performance. (www.water-efficiencylabel.org.uk)

BREEAM®



CALFLOW PLUS® 15MM

AI-811215

Ref no	Size	Flow rate scale	Connections	Body	Box	Unit
AI-811215*	15mm	-	Compression	Brass	96	3072
AI-81121504	15mm	4 L/min	Compression	Brass	96	-
AI-81121506	15mm	6 L/min	Compression	Brass	96	-
AI-81121508	15mm	8 L/min	Compression	Brass	96	-
AI-81121510	15mm	10 L/min	Compression	Brass	96	-
AI-81121512	15mm	12 L/min	Compression	Brass	96	-
AI-81121515	15mm	15 L/min	Compression	Brass	96	-
AI-81121518	15mm	18 L/min	Compression	Brass	96	-
AI-LE01205APB	Blue handle only, for use with Calflow Plus				-	-
AI-LE01205APR	Red handle only, for use with Calflow Plus				-	-



* body only

SPECIFICATION

- Multi-function flow 15mm & 22mm isolation with interchangeable flow cartridges and strainer
- Optional use as flow regulator, isolation, strainer or combination of 2 or more
- Red and blue handles available on request
- Max working pressure: 2 bar
- Max working temperature: 90°C



FLOW REGULATION

FLOW REGULATOR CARTRIDGES FOR USE WITH CALFLOW PLUS®

Ref no	Size	Flow rate scale	Colour	Box
AI-REG04	Calflow plus® only	4 L/min	Grey	1000
AI-REG06	Calflow plus® only	6 L/min	Black	500
AI-REG08	Calflow plus® only	8 L/min	White	500
AI-REG10	Calflow plus® only	10 L/min	Blue	500
AI-REG12	Calflow plus® only	12 L/min	Red	500
AI-REG15	Calflow plus® only	15 L/min	Green	500
AI-REG18	Calflow plus® only	18 L/min	Grey	250



SPECIFICATION

- Colour coded to denote literage per minute, allows constant flow without overflow occurring

FLOW REGULATION

132402



BALANCING VALVE WITH FLOW METER



Ref no	Size	Flow rate scale	Connections	
132402	½"	2 - 7 L/min	F BSP	5
132512	¾"	5 - 13 L/min	F BSP	5
132522	¾"	7 - 28 L/min	F BSP	5
132602	1"	10 - 40 L/min	F BSP	5
132702	1¼"	20 - 70 L/min	F BSP	5
132802	1½"	30 - 120 L/min	F BSP	5
132902	2"	50 - 200 L/min	F BSP	5

SPECIFICATION

- For adjusting and control of flows in heating, air conditioning and cooling systems. Visual flow indicator and flow adjustment.

534202



534 FLOW LIMITER M X F



Ref no	Size	Flow rate scale	Connections	Colour
534102	½"	2 L/min	M x F BSP	Green
534104	½"	4 L/min	M x F BSP	Grey
534105	½"	5 L/min	M x F BSP	Yellow
534106	½"	6 L/min	M x F BSP	Black
534108	½"	8 L/min	M x F BSP	White
534110	½"	10 L/min	M x F BSP	Light blue
534112	½"	12 L/min	M x F BSP	Red
534116	½"	16 L/min	M x F BSP	Blue
534118	½"	18 L/min	M x F BSP	Purple
534202	½"	2 L/min	F x M BSP	Green
534204	½"	4 L/min	F x M BSP	Grey
534205	½"	5 L/min	F x M BSP	Yellow
534206	½"	6 L/min	F x M BSP	Black
534208	½"	8 L/min	F x M BSP	White
534210	½"	10 L/min	F x M BSP	Light blue
534212	½"	12 L/min	F x M BSP	Red
534216	½"	16 L/min	F x M BSP	Blue
534218	½"	18 L/min	F x M BSP	Purple

SPECIFICATION

- Flow limiter, brass body, chrome plated.
- Max working pressure: 12 bar
- Max working temperature: 80°C
- Accuracy ±10%



FLOW REGULATION

FLOW LIMITER



Ref no	Size	Flow rate scale	Connections	Colour	
SY-RO10LF	½"	10 L/min	M x F BSP - Brass	Blue	200
SY-RO6LF	½"	6 L/min	M x F BSP - Brass	Green	200
SY-RO8LF	½"	8 L/min	M x F BSP - Brass	White	200
SY-RP10LF	½"	10 L/min	M x F BSP - ABS Plastic	Blue	200
SY-RP3410LF	½" x ¾"	10 L/min	M x F BSP - ABS Plastic	Blue	200
SY-RP346LF	½" x ¾"	6 L/min	M x F BSP - ABS Plastic	Green	200
SY-RP348LF	½" x ¾"	8 L/min	M x F BSP - ABS Plastic	White	200
SY-RP6LF	½"	6 L/min	M x F BSP - ABS Plastic	Green	200
SY-RP8LF	½"	8 L/min	M x F BSP - ABS Plastic	White	200



SY-RO6LF

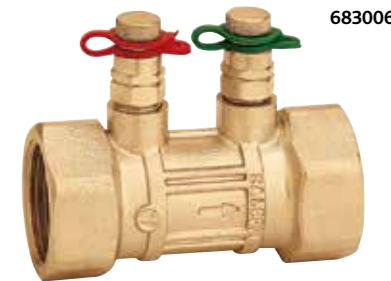
SPECIFICATION

- Max working pressure: 5 bar
- Max working temperature: 80°C
- Accuracy ±10%

683 SERIES FLOW RATE METERING DEVICE



Ref no	Size	Connections
683005	¾"	F BSP
683006	1"	F BSP
683030	DN32	Flanged PN6
683040	DN40	Flanged PN6
683050	DN50	Flanged PN6
683060	DN65	Flanged PN6
683080	DN80	Flanged PN6
683100	DN100	Flanged PN6
683120	DN125	Flanged PN16
683150	DN150	Flanged PN16
683170	DN175	Flanged PN16
683200	DN200	Flanged PN16



683006



683030



The flow rate metering device is used to measure the flow rate within a circuit. When used for central heating purposes it allows monitoring of the thermal power supplied to the systems. In water treatment systems and industrial chemical or textile plants etc., it can be used to continuously monitor the water flowing through the circuits. This particular series of devices is equipped with quick-fit ports for easier differential pressure measurement.

SPECIFICATION

- Painted steel body.
- Asbestos-free fibre NBR gaskets w/ Steel nuts & screws.
- Brass pressure test ports.
- EPDM pressure test port seals.
- Threaded connections ¼" F for pressure test ports.
- Coupling with counterflanges EN 1092-1 DN32 - DN100, PN6; DN125 - DN200, PN16.
- Working temperature range: -5 - 110°C
- Max working pressure: 6 bar (DN32 - DN100), 16 bar (DN125 - DN200).
- Minimum Δp for measurement 0,01 bar.
- Complete with fast-plug pressure test ports, counterflanges, bolts and gaskets.

Metering

Altecnic offer a complete range of water meters. Our range of water meters are EEC approved giving you peace of mind. The quality of the moulded pieces, along with the precision of the robotised machines in assembling them, ensures that all the parts fit together perfectly. This means minimal friction between the gearwheels that make up the meter's measuring element and consequently a high degree of precision and sensitivity even at the lowest flow rates. Plus, all of our water meters undergo hydraulic tests for pressure and precision on electronic measurement.

RANGE OVERVIEW

- Single Jet
- Multi Jet
- Dry Dial
- Wet Dial
- Hot Water Use
- Cold Water Use
- EEC approved

Model Type	Single Jet	Multi Jet	Dry Dial	Wet Dial	Hot Water Use	Cold Water Use	Size Range
USF	✓		✓			✓	1/2" & 3/4"
Tagus	✓		✓			✓	1/2", 3/4", 1", 1 1/4" & 1 1/2"
DBRF	✓			✓		✓	1/2", 3/4", 1", 1 1/4" & 1 1/2"
IARF		✓	✓			✓	1/2", 3/4", 1", 1 1/4" & 1 1/2"
OARF		✓	✓			✓	2"
USC	✓		✓		✓		1/2" & 3/4"
USLF	✓		✓			✓	1/2" & 3/4"



Metering

METERING - WATER METERS

GG-3003F13



COLD WATER METERS - NON PULSED



Ref no	Size	Connections	Accuracy Class	Dial Type	Jet Type		
GG-3003F13	½"	M x M BSP	Class B	Dry dial	Single jet	25	525
GG-3005F20	¾"	M x M BSP	Class B	Dry dial	Single jet	18	378
PS-100001	½"	M x M BSP	Class D / MID R 315	Dry dial	Multi jet	20	-
PS-100002	¾"	M x M BSP	Class D / MID R 160	Dry dial	Multi jet	20	-
PS-100004	1"	M x M BSP	Class D / MID R 100	Dry dial	Multi jet	20	-
GG-2003013	½"	M x M BSP	Class B	Wet dial	Single jet	25	-
GG-2005020	¾"	M x M BSP	Class B	Wet dial	Single jet	18	-
GG-2007025	1"	M x M BSP	Class B	Wet dial	Single jet	10	-
GG-2007030	1¼"	M x M BSP	Class B	Wet dial	Single jet	10	-
GG-2007040	1½"	M x M BSP	Class B	Wet dial	Single jet	10	-
GG-IARF15	½"	M x M BSP	Class B	Dry dial	Multi jet	10	-
GG-IARF20	¾"	M x M BSP	Class B	Dry dial	Multi jet	10	-
GG-IARF25	1"	M x M BSP	Class B	Dry dial	Multi jet	5	-
GG-IARF30	1¼"	M x M BSP	Class B	Dry dial	Multi jet	5	-
GG-IARF40	1½"	M x M BSP	Class B	Dry dial	Multi jet	5	-
GG-OARF50	2"	M x M BSP	Class B	Dry dial	Multi jet	5	-
GG-OARF50.1	2"	M x M BSP	Class B	Dry dial	Multi jet	5	-

PS-100001



GG-2003013



GG-IARF15



GG-OARF50



PS-P00001



COLD WATER METERS - PULSED



Ref no	Size	Connections	Accuracy Class	Dial Type	Litres Pulse	Jet Type	
GG-USLF15P1	½"	M x M BSP	Class B	Dry dial	1	Single jet	20
GG-USLF20P1	¾"	M x M BSP	Class B	Dry dial	1	Single jet	10
PS-P00001	½"	M x M BSP	Class D / MID R 315	Dry dial	1	Multi jet	10
PS-P00002	¾"	M x M BSP	Class D / MID R 100	Dry dial	1	Multi jet	10
PS-P00003	1"	M x M BSP	Class D / MID R 100	Dry dial	1	Multi jet	10

METERING - WATER METERS

HOT WATER METERS - NON PULSED



Ref no	Size	Connections	Accuracy Class	Dial Type	Litres Pulse	Jet Type		
GG-3003C13	½"	M x M BSP	Class B	Dry dial	1	Single jet	25	525
GG-3005C20	¾"	M x M BSP	Class B	Dry dial	1	Single jet	18	378

GG-3003C13



HOT WATER METERS - PULSED



Ref no	Size	Connections	Accuracy Class	Dial Type	Litres Pulse	Jet Type	
GG-L12ASC02B051	½"	M x M BSP	Class B	Dry dial	1	Single jet	25
GG-L31ASC02B051	¾"	M x M BSP	Class B	Dry dial	1	Single jet	18

GG-L12ASC02B051



WATER METERS - ISOLATION VALVES



Ref no	Size	Connections	
AI-195004	½"	F x F Swivel	100

AI-195004



DATA CONCENTRATOR



Ref no	Meters
205-1002	64
205-1003	128
205-1004	256

SPECIFICATION

- 64, 128 and 256 meters
- Extendible network up to 1000 meters
- Local data reading via USB/RS232
- Can be easily upgraded with an infra-red GPRS modem for remote meter reading

GPRS MODEM



Ref no	Power Supply
204-7010	230v mains power

SPECIFICATION

- Automatically sends meter usage data via email or text message
- Requires SIM card
- Optional mounting box available on request

SMARTPAY PREPAYMENT SYSTEM WITH A DEDICATED CONTROL UNIT, INDEPENDENT TENANT DISPLAY FOR EASY INSTALLATION



Ref no	Description
205-1001	Secure credit system management for landlords

SPECIFICATION

- Smarter budgeting and payment options for tenants
- Graphical and easy to read tenant screen, is connected wirelessly to the prepayment unit. This screen can be located conveniently within the apartment for the tenant to better manage their balance and account.
- Secure online payment portal for the tenant to top-up with credit or debit cards and local top-up facilities with PayPoint - over 28,000 retail points across the country
- Wireless Smart metering of heat and hot water, avoiding the need for cabling and building M-Bus systems for data collection. The screen can provide a messaging capability to each tenant; events, key dates, marketing opportunities.
- The system is remote changeable between a prepayment and traditional credit system.
- The system is compliant with ENE3 Code for Sustainable Homes

REMOTE METER STATION



Ref no	Description
Ask for details	Wall mounted metering station for energy
Ask for details	Wall mounted metering station for energy and cold water metering
Ask for details	Wall mounted metering station for energy, cold and hot water metering
Ask for details	Wall mounted metering station for energy, cold, hot and grey water metering

ITRON C F ECHO II ENERGY METER

Ref no	Size	Power	Output
204-1...	15 - 50mm	- Mains - Battery	- M-Bus - Pulsed - Radio - GPRS - RS232



ITRON COMPACT ENERGY METER - ULTRAMAX

Ref no	Size	Power	Output
204-2...	15 - 20mm	- Mains - Battery	- M-Bus - Pulsed - Radio



HYDROMETER ENERGY METER

Ref no	Size	Power	Output
204-6...	15 - 20mm	- Mains - Battery	- M-Bus - Pulsed - Radio - GPRS - RS232



KAMSTRUPP ENERGY METER

Ref no	Size	Power	Output
204-4...	15 - 20mm	- Mains - Battery	- M-Bus - Pulsed - Radio - GPRS - RS232



General Plumbing & Accessories

Our accessories range includes specialist components and associated supporting products. For customers who require a specific component, Altecnic have a wide range of products available. As the UK and Ireland's leading provider of plumbing and heating products we have a vast range of accessories to suit your needs.

Did you know?

Altecnic provides training
on all of our products.

For more information
contact us on
+44 (0)1785 218 206



General
Plumbing

FLEXIBLE HOSES & DRAIN VALVES

PA-252236B520300



FLEXIBLE TAP CONNECTORS



Ref no	Connections	Pressure	Length	Box
PA-251B42B130450	15mm x 1/2" F x F BSP	10 bar	450mm	50
PA-252236B520300	22mm x 3/4" F x F BSP	10 bar	300mm	50
PA-252B42B130300	15mm x 1/2" F x F BSP	10 bar	300mm	50

SPECIFICATION

- Stainless steel braid
- Max working pressure: 10 bar
- Working temperature range: 0°C - 80°C

PA-2822362151001



FLEXIBLE HOSE



Ref no	Size	Connections	Length	Box
PA-2822362151001	3/4" M x F	M x F BSP	1000mm	50



BI-WM0005



DRAIN VALVES



Ref no	Size	Connections	Box	Carton
BI-WM0004	15mm	Long tail	200	5000
BI-WM0005	15mm	Short tail	200	5000
BI-WM0006	1/2"	M BSP	200	5000
BI-WM0007	3/4"	M BSP	80	3840

SPECIFICATION

- Max working pressure: 10 bar



TI-1100173



DRAIN ELBOW



Ref no	Size	Connections	Box	Carton
TI-1100173	22mm x 3/4"	Compression x M BSP	1	-
130-1003	28mm x 28mm	Compression x Compression	80	-
130-1051	28mm x 1"	Compression x M BSP	50	1200

SPECIFICATION

- Max pressure at inlet: 15 bar
- Max temperature: 85°C



130-1003



OIL FILTERS

OIL FILTERS



Ref no	Description	Box
GA-V7045201ALS	1/4" Filter aluminium bowl with bleed screw	100
GA-V7045101ALS	3/8" Filter aluminium bowl with bleed screw	100
GA-V7030201A	1/2" Oil filter with aluminium bowl	20
GA-V7010401A	3/4" Oil filter with aluminium bowl	6
GA-V7010101	1" Oil filter with aluminium bowl	6



GA-V7045101ALS

OIL NIPPLES



Ref no	Description	Box
PA-300101	1/4" x 1/4" Nipple	160
PA-300202	1/4" x 3/8" Nipple	160



PA-300101

PIPE COVERS



Ref no	Description	Box
449910	1/2" Pipe covers	10



SPECIFICATION

- Single wall-covering plate
- Chrome plated
- For pipes with external diameter from 12mm - 20mm



359410



MANIFOLD FOR DOMESTIC WATER SYSTEMS - SERIES 359



Ref no	Description
359410	Distribution manifold with individual shut-off valves (4+3)
359510	Distribution manifold with individual shut-off valves (5+4)
359700	Recessed inspection port with push-to-open frame
359801	Plastic aesthetic cover plate (white)
359802	Stainless steel aesthetic cover plate (shiny finish)
359803	Stainless steel aesthetic cover plate (brushed finish)
359003	23p. 1,5 fitting with fixing clip
359004	1/2" fitting, Ø 13 flat seat with fixing clip
359005	3/4" fitting, Ø 18 flat seat with fixing clip
359006	3/4" fitting, Ø 18 Euroconus with fixing clip

359003



NEW

The distribution manifolds with individual shut-off valves are used to control and distribute the medium in domestic water circuits. They are supplied already assembled in a plastic inspection box to facilitate positioning and installation. They are equipped with shut-off valves with a handwheel for each individual circuit and an identification number for the user served. Box installation can be completed using push-to-open inspection ports or aesthetic cover plates that are available in different finishes.

SPECIFICATION

- No of outlets: 4 + 3 & 5 + 4
- Max pressure at inlet: 10 bar
- Temperature range: 5°C - 90°C

354054



DISTRIBUTION MANIFOLD



Ref no	Size	Connections	Box
354052	3/4"	Ø 23mm x 2 outlets	20
354053	3/4"	Ø 23mm x 3 outlets	20
354054	3/4"	Ø 23mm x 4 outlets	20
354055	3/4"	Ø 23mm x 5 outlets	20

SPECIFICATION

- Modular single distribution manifold with shut-off valves.
- Dezincification resistant alloy body
- Max working pressure: 10 bar
- Temperature range: 5 - 100°C
- Outlet centre distance: 35mm
- Adapters required for pipe

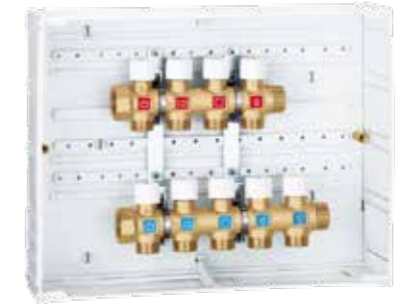


DISTRIBUTION MANIFOLD IN CASE



360043

Ref no	Size	Connections	Box
360043	3/4"	Ø 23mm x 3 - 4 outlets	1
360054	3/4"	Ø 23mm x 4 - 5 outlets	1



SPECIFICATION

- Modular single distribution manifold with shut-off valves.
- Dezincification resistant alloy body
- Max working pressure: 10 bar
- Temperature range: 5 - 100°C
- Outlet centre distance: 35mm
- Inspection box 320mm x 250mm x 90mm with cover

COMPRESSION FITTING FOR COPPER TUBE



347010

Ref no	Size	Connections	Box
347010	Ø 10mm	Ø 23mm x 10mm Compression	100
347015	Ø 15mm	Ø 23mm x 15mm Compression	100



SPECIFICATION

- Compression fitting for annealed copper, hard copper, brass, mild steel and stainless steel pipes
- Complete with O ring seal
- Max working pressure: 10 bar
- Temperature range: -25 - 120°C

JOINTING PASTE



114-9100

Ref no	Description	Box	1092
114-9100	Jointing paste for use with potable water, liquids and gases	12	1092



NEW

Water Treatment

Water treatment is essential to ensure your system is running as efficiently as possible. Altecnic offer a range of treatments including chemical products to clean and inhibit the system as well as an automatic water treatment unit.

RANGE OVERVIEW

- Automatic water treatment units for demineralisation and softening
- Fill & Flush Valves
- Electrolytic & Magnetic Scale Reducers
- Water Quality & Chemical Test Kits
- Aerosol Cleaner & Inhibitor
- Liquid Cleaner & Inhibitor
- Leak Sealer & Biocide Chemicals



Water
Treatment

580011



NEW

AUTOMATIC COMPACT CHARGING UNIT



Ref no	Size	Connection	Body
580011	DN15 (½")	Threaded M BSP	Brass

Automatic compact charging unit with BA-type backflow prevention valve.

The compact automatic charging unit is composed of a shut-off valve with an inspectable strainer, a BA-type controllable reduced pressure zone backflow preventer and an automatic filling unit. It is installed on the water inlet piping in closed circuit heating systems. It maintains the pressure of the system stable at a set value, automatically topping up with water as required. The backflow preventer prevents the contaminated water of the closed heating circuit from flowing back into the domestic water supply, in accordance with the provisions of EN 1717. The device is supplied complete with preformed shell insulation and features a compact design to facilitate installation.

580020



NEW

AUTOMATIC WATER TREATMENT UNIT



Ref no	Size	Connection	Description
580020	DN15 (½")	BSPT	Automatic water treatment unit without cartridge
580900	2.7ltr	BSPT	Disposable polymer cartridge for water demineralisation treatment using mixed bed ion exchange resins
580901	4.5ltr	BSPT	Disposable polymer cartridge for water demineralisation treatment using mixed bed ion exchange resins
580902	2.7ltr	BSPT	Disposable polymer cartridge for water softening treatment via ion exchange resin
580903	4.5l	BSPT	Disposable polymer cartridge for water softening treatment via ion exchange resin
580001	n/a	n/a	Adapter for reusable cartridges
570923	12ltr	n/a	Spare stainless steel reusable cartridge for water treatment using mixed bed ion exchange resins
570933	24ltr	n/a	Spare stainless steel reusable cartridge for water treatment using mixed bed ion exchange resins
570917	n/a	n/a	Resin cartridge refill, for 5709 series demineralization

The automatic water treatment unit, installed on the inlet pipe, is used to treat water in the closed circuits of heating and cooling systems. It consists of an upstream check valve, an electronic controller with positive displacement meter and electrical conductivity measuring cell, a by-pass regulator, a downstream ball shut-off valve and adjustable drain cocks and air vent. It can be set up with different types and sizes of cartridge, which means demineralisation or softening treatments can be performed in line with system requirements. It is complete with pre-formed shell insulation, bracket and anchors for wall mounting.

580902



FILL & FLUSH VALVE



Ref no	Size	Connection	Pressure	Box	Carton
124-1501	22mm	Compression	10 bar	25	450
124-1502	28mm	Compression	10 bar	25	450

The Altecnic fill and flush valve is designed for use on domestic and small commercial heating systems. The combination of two ball isolating valves and one 'T' port diverting ball valve are used to fill and flush the system with cleaning chemicals or water treatment.

SPECIFICATION

- Max temperature: 85°C
- Min temperature: 2°C
- Max Pressure: 10 bar Compression ends complying with: BS EN 1252-2 for use with R250 (half hard) copper tube.

NEW

124-1501



124-1502



ACCESSORIES

114-9003



ELECTROLYTIC SCALE REDUCER



Ref no	Size	Connections		
114-9003	15mm	Compression	10	450
114-9005	22mm	Compression	10	450



114-9007



MAGNETIC SCALE REDUCER



Ref no	Size	Connections		
114-9007	15mm	Compression	10	450



NEW

114-9004



CHEMICAL TEST KIT



Ref no	Description
114-9004	Inhibitor test kit (tube)

114-9008



NEW

WATER QUALITY TEST KIT



Ref no	Description
114-9008	Used for testing wet central heating systems

CHEMICALS

LIQUID CLEANER AND INHIBITOR



Ref no	Size	Description		
114-9001	500ml	Cleaner - iQ3	12	720
114-9002	500ml	Inhibitor - iQ1	12	720



114-9001

114-9002

FAST AEROSOL CLEANER AND INHIBITOR



Ref no	Size	Description		
570915	400ml	Cleaner - C3	10	480
570916	400ml	Inhibitor - C1	10	480

SPECIFICATION

- 400ml dose for 150L capacity system
- Easy, fast & clean system dosing



570915

570916

C4 HEATING SYSTEM LEAK SEALER



Ref no	Size	Description	
570914	500ml	Leak sealer - C4	12

SPECIFICATION

- 500ml dose per 150 litres of water



570914

C7 BIOCIDES



Ref no	Size	Description	
570913	500ml	Biocide - C7	12

SPECIFICATION

- 500ml dose per 150 litres of water



570913

Commercial Washrooms

The Altecnic range of commercial washroom products includes non concussive taps, timed flow controls, vandal resistant flow controls, vandal resistant shower valves and shower panels.

RANGE OVERVIEW

- 40 years heritage
- 5 year warranty
- The SILFRA range includes:
 - Taps
 - Flow Control
 - Shower Heads



To find out more about Altecnic's range of Commercial Washroom Products visit www.altecnic.co.uk/washrooms



Commercial Washrooms

QK23051



SILFRA NON CONCUSSIVE TAPS

Ref no	Description	Box	Unit
QK23051	Single Basin Tap	20	360
QK23551	Single Wall Tap	20	360

The SILFRA range of non concussive taps are equipped with flow rate control for water efficiency. Manufactured from the best materials to ensure maximum reliability and durability.



SPECIFICATION

- Timed flow: 15 sec (adj +/- 5 sec)
- Flow rate: adj min 3 l/m, max 15 l/m at 3 bar

QK23551



QK16551



SILFRA TIMED FLOW CONTROLS

Ref no	Description	Box	Unit
QK16551	Exposed timed flow control (single)	40	720
QK15051	Concealed timed flow control (single)	20	360

Functional and efficient, SILFRA Timed Flow Controls are perfect for conserving water in public spaces. All SILFRA products come with a 5 year warranty as standard.



SPECIFICATION

- Max pressure: 5 bar
- Min pressure: 1 bar
- Max temperature: 60°C
- Timed flow: 30 sec (adj +/- 5 sec)
- Flow rate: Adj min 3 l/m, 15 l/m at 3 bar

QK15051



QL23051



SILFRA TOGGLE TAP

Ref no	Description	Box	Unit
QL23051	Basin (single)	8	144

The SILFRA toggle tap is designed for basin mounting and can be used with hot, cold or mixed water. Complete with lever for hygienic elbow operation.



SPECIFICATION

- Wash basin tap with elbow lever
- Max pressure: 5 bar
- Min pressure: 1 bar
- Max temperature: 60°C
- Timed flow: 15 sec (adj +/- 5 sec)
- Flow rate: Adj min 3 l/m, 15 l/m at 3 bar

SILFRA NON CONCUSSIVE MIXER TAP

Ref no	Description	Box	Unit
Q425251	Non concussive mixer tap (single)	8	144

The wash basin push tap with temperature regulation is equipped with a cartridge that allows simple control of timing and flow rate.



SPECIFICATION

- Max pressure: 5 bar
- Min pressure: 1 bar
- Max temperature: 60°C
- Timed flow: 15 sec (adj +/- 5 sec)
- Flow rate: Adj min 3 l/m, 15 l/m at 3 bar

Q425251



SILFRA IR

Ref no	Description	Box	Unit
CRIQT33051ATI	Infrared Basin Tap, Single feed, Battery controlled	8	
CRIQT33851ATI	Infrared Basin Tap, Single feed, Mains controlled	8	
CRIQT33251ATI	Infrared Basin Tap with temperature adjustment, Dual feed, Battery controlled	8	
CRIQT33951ATI	Infrared Basin Tap with temperature adjustment, Dual feed, Mains controlled	8	

The Altecnic range of infrared taps are hygienic and touch free. Perfect for conserving water in public places and providing a more hygienic washing experience.



SPECIFICATION

- Chrome plated brass body
- Electronic taps for wash hand basins
- Stainless steel flexible hoses with anti water hammer systems and non-return valves
- Battery power via 6V DC supply
- Mains power supply 115V 50Hz AC / 230 V 50Hz AC

CRIQT33051ATI



CRIQT33251ATI



SILFRA VANDAL RESISTANT HEAD

Ref no	Description	Box	Unit
PD15251	Small	20	320
AT89051	Large	20	300

The Altecnic range of vandal resistant shower heads are designed for a concealed supply behind a panel or wall and are ideal for communal facilities in schools, sports and leisure facilities and other areas where there is a risk of misuse.



SPECIFICATION

- Recommended operational pressure: 1 - 5 bar
- Max test pressure: 16 bar
- Max water temperature: 70°C
- Recommended water temperature: 41 - 43°C
- Pressure difference between hot & cold water: 1.5 bar

PD15251



AT89051



COMMERCIAL WASHROOM SOLUTIONS

ALT-521928



GROUP THERMOSTATIC MIXING VALVE - ART 5219



Ref no	Size	Connections	Check Valves	Temperature	
ALT-521928	28mm	Compression	Yes	Setting range 35 to 65°C	6

SPECIFICATION

- Max working pressure: 14 bar (static), 5 bar (dynamic)
- Max hot inlet temperature: 90°C
- Temperature stability: ±2°C



116420



1164 SERIES - THERMOSTATIC REGULATOR FOR HOT WATER RECIRCULATION



Ref no	Size	Connections	Description		
116415	15mm	RP 1/2" w/ 15mm compression fitting	Thermostatic regulator	5	450
116420	22mm	RP 3/4" w/ 22mm compression fitting	Thermostatic regulator	10	450
116440*	1/2"	F BSP	Thermostatic regulator	10	450
116441*	1/2"	F BSP	Thermostatic regulator	10	450
116450	3/4"	F BSP	Thermostatic regulator	5	450
116451	3/4"	F BSP	Thermostatic regulator	5	450

The Altecnic thermostatic regulator for domestic hot water re-circulation loops automatically maintains the specified water temperature.

SPECIFICATION

- Max working pressure: 16 bar
- Max working temperature: 60°C
- Temperature gauge available (code: 116010)
- Temperature adjustment range: 40 - 65°C



COMMERCIAL WASHROOM SOLUTIONS

FAST FIX CONNECTIONS



Ref no	Description		
606-1001	Fast Fit	20	960
606-1002	Wall Mounting	24	1440



606-1001

606-1002



NEW

SHOWER DOUBLE CHECK VALVE



Ref no	Size	Connections	Max working pressure		
123-1101	1/2"	M x F BSP	10 bar	98	4704



123-1101

SPECIFICATION

- Max operating pressure: 10 bar
- Check valve min. operating pressure: 0.2 bar
- Max operating temperature: 85°C



NEW

ALT-521928



116420



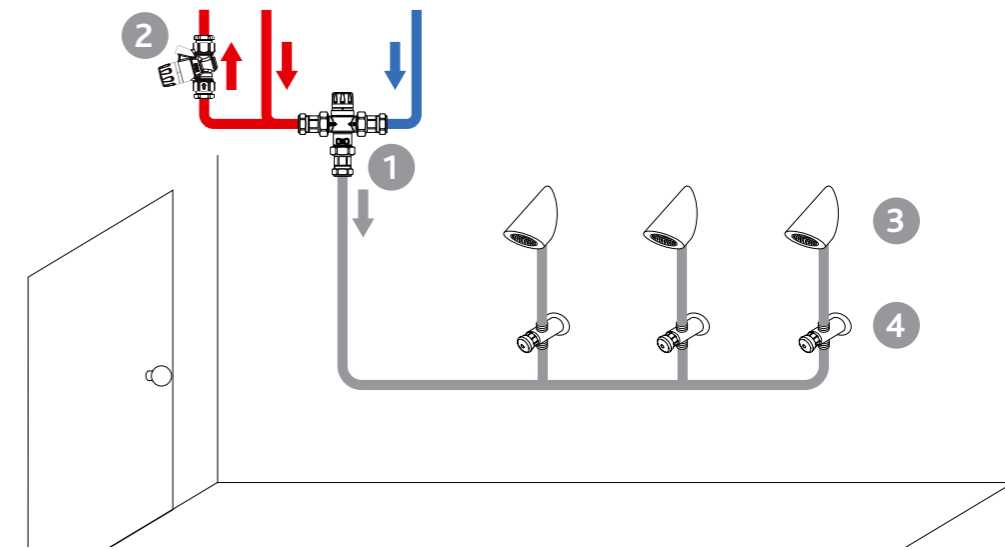
GROUP SHOWERS WITH EXPOSED CONTROLLER AND SHOWER HEAD

Ref no	Description	Diagram ref
ALT-521928	28mm Thermostatic mixing valve	1
116420	Thermal recirculation valve	2
AT89051	Vandal resistant shower head	3
QK16551	Exposed timed flow control	4

AT89051



QK16551



ALT-521928



116420



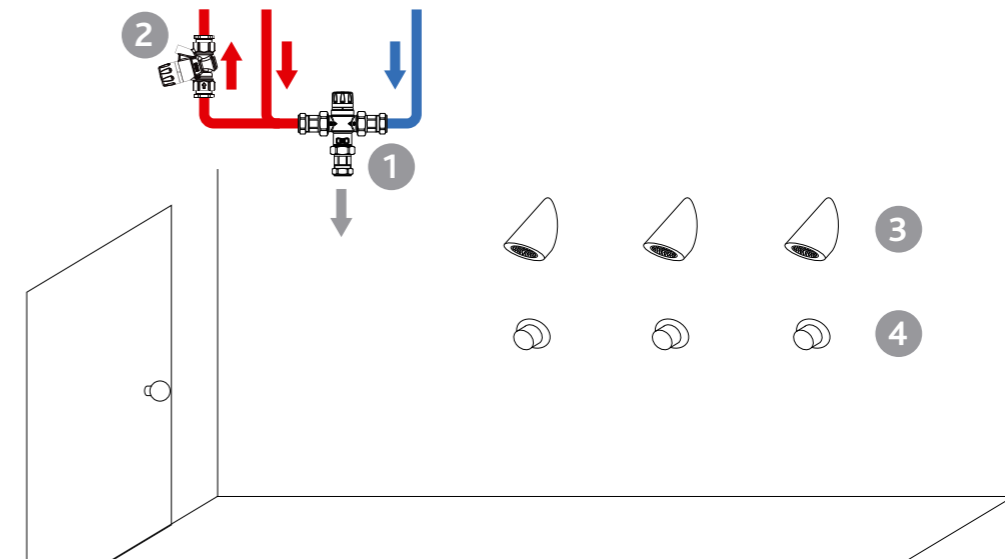
GROUP SHOWERS WITH CONCEALED CONTROLLER AND SHOWER HEAD

Ref no	Description	Diagram ref
ALT-521928	28mm Thermostatic mixing valve	1
116420	Thermal recirculation valve	2
PD15251	Vandal resistant shower head	3
QK15051	Concealed timed flow control	4

PD15251



QK15051



ALT-521928



116420



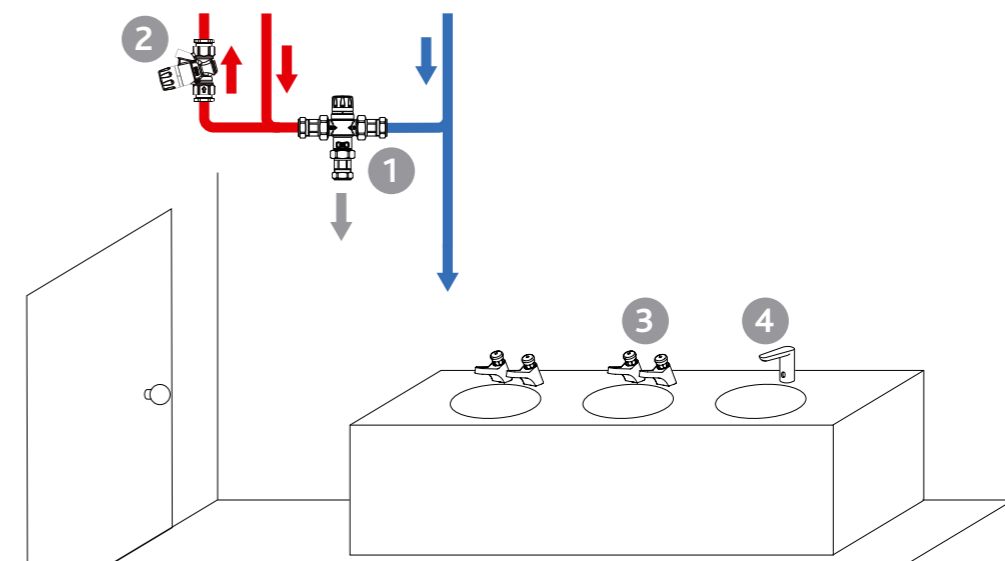
GROUP BASINS

Ref no	Description	Diagram ref
ALT-521928	28mm Thermostatic mixing valve	1
116420	Thermal recirculation valve	2
QK23051	Non-concussive basin tap	3
CRIQT33051ATI	Infrared basin tap	4

QK23051



CRIQT33051ATI

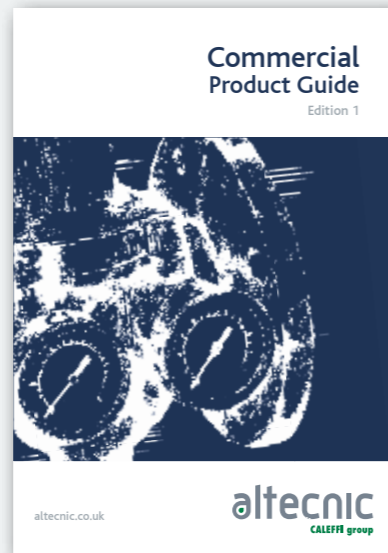


Commercial Products

Altecnic offers a complete range of plumbing and heating products for commercial applications. Built upon 30 years of industry experience our commercial product range includes:

- Balancing Valves
- Thermostatic Mixing Valves
- Pressure Reducing Valves
- Dirt and Air Separation
- Pressure Independent Control Valves
- Backflow Prevention Devices
- Safety Relief Valves
- Thermal Stores
- Metering
- Differential Pressure Control Valves
- Fan Coil Hook Up Units

Altecnic provides CIBSE approved Continued Professional Development (CPD) seminars on systems balancing, district heating, backflow prevention and other topics. Contact us for further information.



Commercial Products

To find out more about Altecnic's range of Commercial Products visit www.altecnic.co.uk/commercial

Heat Interface Units

The drive to conserve finite fossil energy stores and reduce the carbon footprint of buildings to meet latest regulations, has pushed the modern building services engineer to create specific central plant designs. This allows for the easy and efficient integration of renewable energy sources, such as CHP, solar, heat pumps, etc. A central plant system needs to offer a reliable and efficient way of producing hot water, controlling the heating and metering of each individual flat, apartment or house. Altecnic's range of Heat Interface Units (HIU's), consumer modules and metering products, do just that.

RANGE OVERVIEW

Available in the range:

- Electronic HIUs
- Manual HIUs
- Low Temperature Network
- MODbus Network Control
- Direct and Indirect
- Stored Domestic Water
- Hot Water Only



To find out more about Altecnic's range of Heat Networks visit www.altecnic.co.uk/heat-networks



Heat Interface Units

Renewables

Renewable Energy Range

SOLAR

The CALEFFI SOLAR® product range has been specially developed for use in solar thermal systems, where high temperatures can normally be reached and where, depending on the kind of system, there can be glycol. Materials and performance of the components must necessarily take into account these particular operating conditions.

GEOTHERMAL

The products in the CALEFFIGEO® series have been conceived specifically for use in heat pump systems. The thermal medium in circuits within air source heat pumps can reach very low temperatures; for this reason the components are made with high-performance materials and special solutions to prevent freezing are offered.

BIOMASS

The CALEFFI BIOMASS® product series has been created specifically to be used in circuits of systems with wood solid fuel generators, operating at high temperature with water or glycol solutions as thermal medium. The materials of the components and their performance take account of the specific system needs in terms of efficiency and safety of the generators and systems.

HEAT PUMPS

The products in the CALEFFIGEO® series have been conceived specifically for use in heat pump systems. The thermal medium in circuits within air source heat pumps can reach very low temperatures; for this reason the components are made with high-performance materials and special solutions to prevent freezing are offered.



To find out more about Altecnic's range of Renewable Products visit
www.altecnic.co.uk/solar
www.altecnic.co.uk/geothermal
www.altecnic.co.uk/biomass
www.altecnic.co.uk/heatpump

General information

Office hours:

Monday to Friday 8.30am - 5.00pm.

Prices:

Prices are exclusive of VAT, and are subject to change without notice.

All prices displayed are recognised as list.

Terms:

A copy of Altecnic's terms and conditions is available on request.

Property of goods:

Until full payment has been received, all goods supplied remain the property of Altecnic Ltd.

Delivery:

Carriage paid 3 day service, UK mainland only. (Minimum order value of £50 applies or £7.50 small order charge applies.)

Customer Care Notice

Full details of Altecnic's Returns Policy are available at www.altecnic.co.uk.



DOM-BOOK 21



Altecnic Ltd - CALEFFI group

Mustang Drive, Stafford, Staffordshire ST16 1GW

T: 01785 218200 F: 01785 218201 E: sales@altecnic.co.uk

Registered in England No: 2095101

altecnic.co.uk

© Patents & Design Altecnic 2021

Altecnic Ltd retains all rights (including patents, designs and copyrights, trademarks and any other intellectual property rights) in relation to all information provided on or via the website, brochures or any other documents, including all texts, graphics and logos, contained on the website, in brochures or in any other documents published in the name of or on behalf of Altecnic Ltd in any form, without prior written consent of Altecnic Ltd.

ALT/PG/0121